



THE MAMBA MOUNT

DODGE DURANGO - CONSOLE SIDE MOUNT

Installation Instructions

425-0028

425-1267



WARNING:

Do not install or use this product in any manner which would interfere with any of the vehicles controls, air bags or safety devices. Do not install or use this product in any manner which causes a safety hazard for vehicle and/or occupants.

To avoid serious injury do not place this device or any objects between the air bags and yourself or any passengers.

***We recommend that you do not operate a computer while driving!
Park safely, then use. Remember, driving safely comes first.***

WARNING:

Make sure of and check on a regular basis that all knobs, fastening devices and handles are tight and secure. Repair or replace any faulty or worn parts. All equipment, such as computers, printers, phones, etc. must be safely secured when vehicle is in motion.

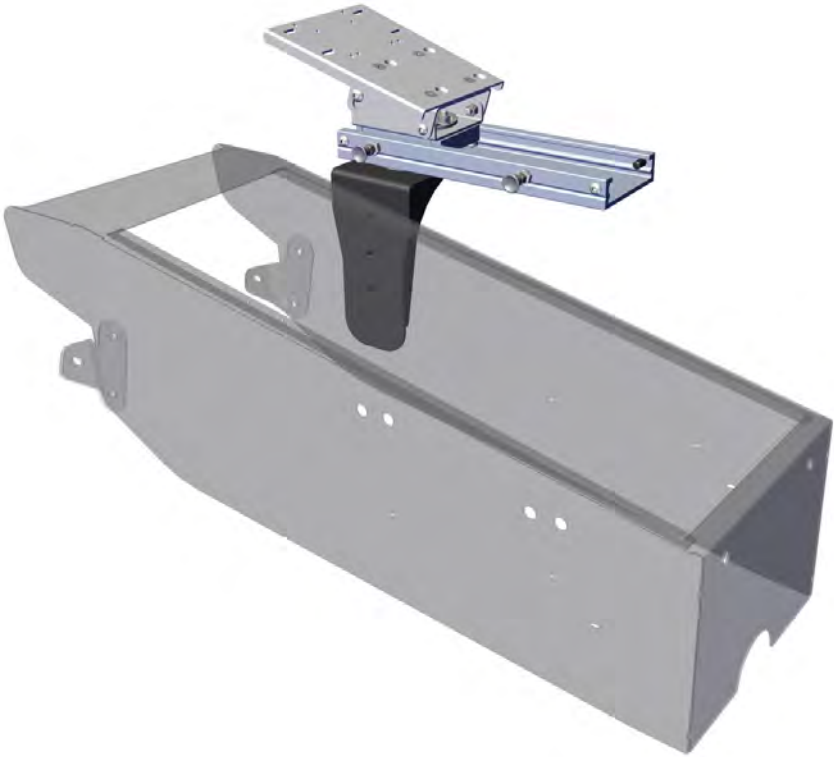
DISCLAIMER:

The manufacturer of this product may not be held liable for any accidents, injuries or problems caused by the use or installation of this product.

Specifications subject to change without notice.

INSTALLATION PROCEDURE

READ INSTRUCTIONS BEFORE BEGINNING INSTALLATION



TOOLS NEEDED:

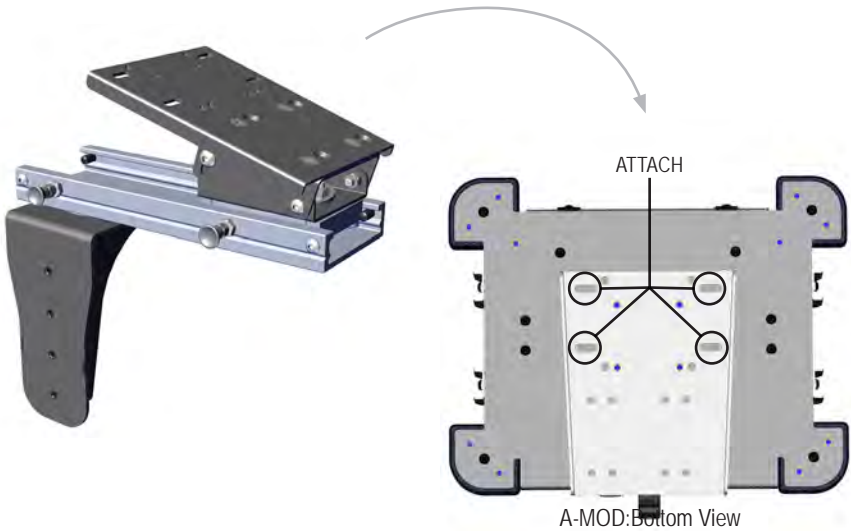
- $\frac{7}{16}$ " wrench or $\frac{1}{4}$ " drive ratchet with $\frac{7}{16}$ " socket

PARTS INCLUDED:

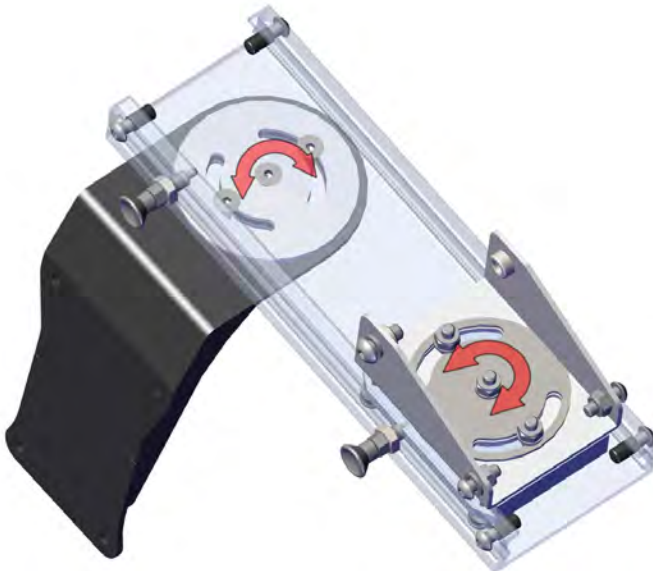
- Hardware Bag with necessary nuts, bolts, etc.

1. Position the mounting base at the right side of the console.
2. Insert the provided $\frac{1}{4}$ "-20 Hex Bolts and Washers from the inside of the console. Tighten securely with ratchet.

TOP ASSEMBLY & ADJUSTMENT

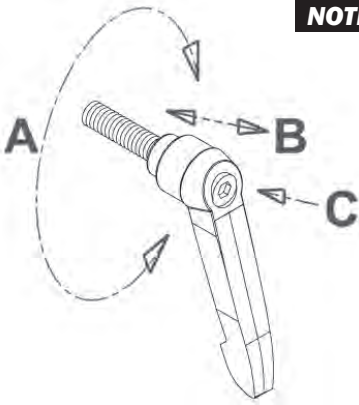


3. Pull the rear knob to release and move the top assembly. Slide it forward to the front locating knob and it will automatically lock in position. From this point you will be able to mount A-MOD Desktop/docking equipment to the top plate via holes and slots from the underside with provided $\frac{1}{4}$ "-20 bolts and washers.



4. The swivel tension to the Motion Arm and Tilt/Swivel Assembly is set at the factory. This can be adjusted by loosening and/or tightening the (3) $\frac{1}{4}$ "-20 nuts at each location. Use a $\frac{7}{16}$ " wrench to stabilize the nut and a $\frac{5}{32}$ " T-handle hex key to turn the bolt.

RATCHET CLAMP OPERATION



NOTE: To adjust, tilt pull handle out (B) and rotate counter clockwise (A), release and tighten. If needed, use $\frac{1}{8}$ " hex head wrench for adjustment (C)

Ratchet handles are spring loaded and can be readjusted to tighten.



A-MOD Screen Holder - Tension Spring Adjustable

Specifications subject to change without notice

Model 450-0449

The Screen Support is designed to keep your screen in place while you use your computer. It attaches directly to the A-MOD Desktop and adjusts in height and tilt angle.



209 W. EASY ST., ROGERS, AR 72756 • JOTTOPUBLICSAFETY.COM • 6/24

Jotto Desk™ is a patented product and Registered Trademark of Assembled Products™ Corporation.

Specifications subject to change without notice.

050-0010-00

