

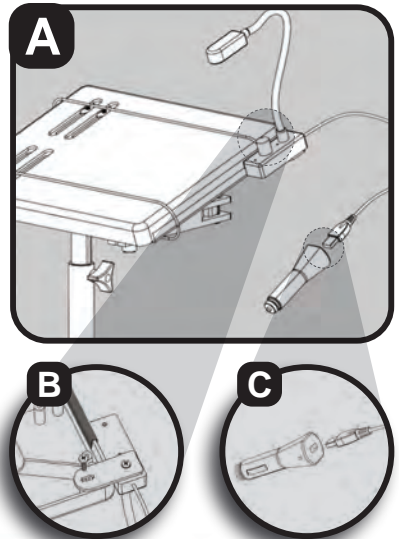


# 12" DESK USB LIGHT

CABLE-DOCK DESKTOP ACCESSORY

Installation Instructions

425-2490

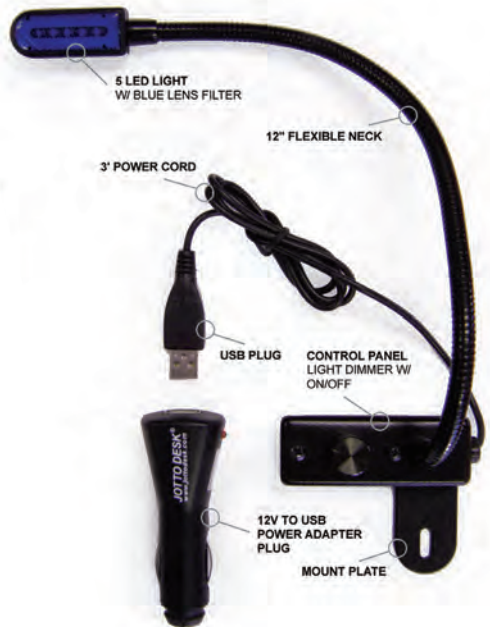


## INSTRUCTIONS

1 - Peel back plastic edge guard at upper right corner of desktop and cut at about 1 inch. *NOTE: This allows the mount plate to properly seat against bottom of desktop.* Mount control panel (See fig. B) by lining up slot in the mount plate with a screw stand off in upper right corner of the desktop using the supplied Plaston screw.

2 - To power light, plug the USB cable either into the USB port on your laptop computer or into the 12V power adaptor, which can then be plugged into a power outlet within the vehicle. See fig. C.

3 - Light can be turned on/off and the light intensity adjusted by turning the dimmer knob.



209 W. EASY ST., ROGERS, AR 72756 • JOTTOPUBLICSAFETY.COM • 9/24

Jotto Desk™ is a patented product and Registered Trademark of Assembled Products™ Corporation.

Specifications subject to change without notice.

050-0067-00

