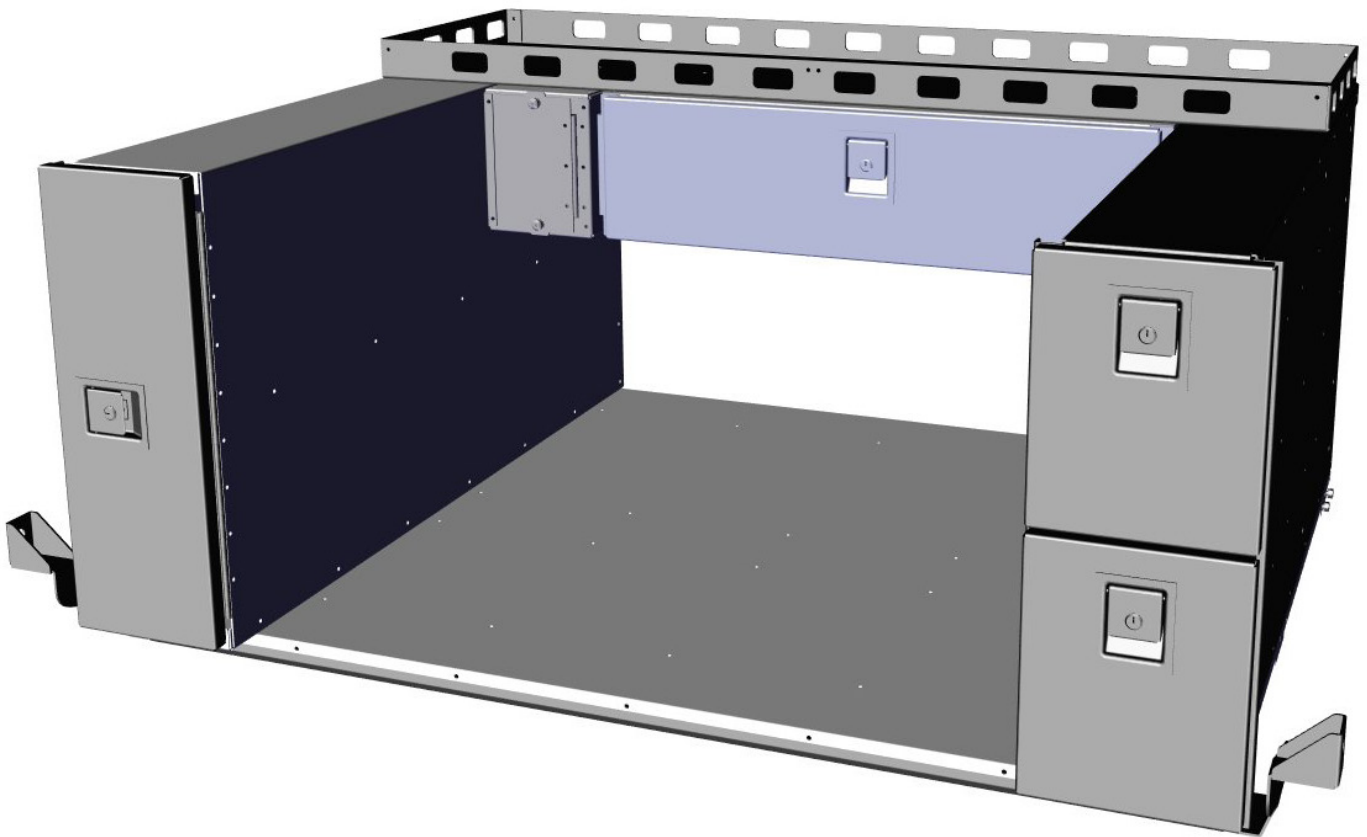




# INSTALLATION INSTRUCTIONS '15+ TAHOE STORAGE SYSTEM



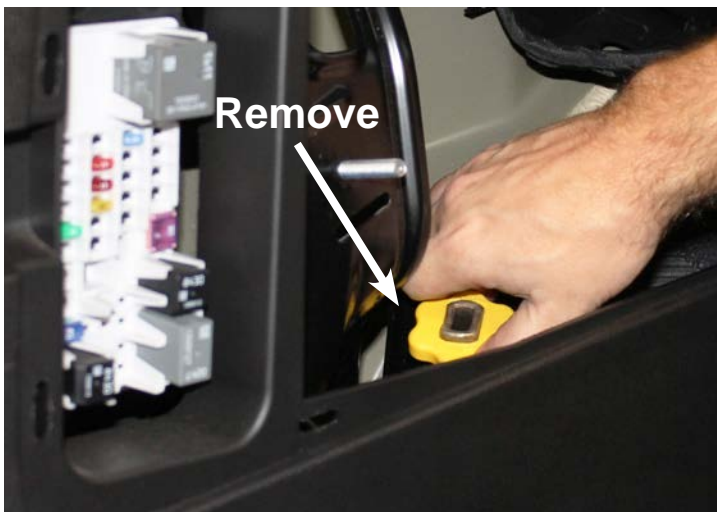


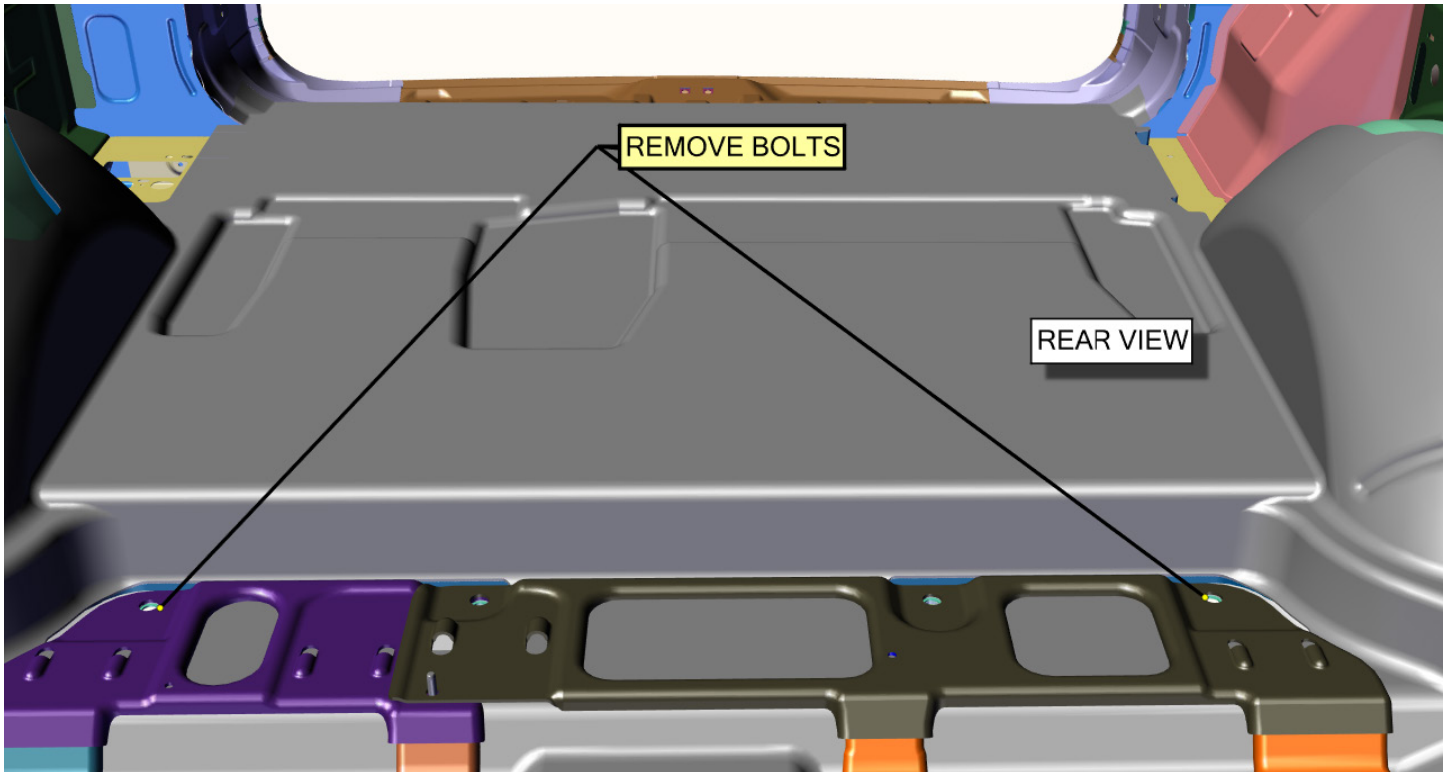
## INSTALLATION INSTRUCTIONS

*Before You Install Jotto Desk Storage System*  
You **MUST** remove Jack and tire removal tools. Once removed, they will be stored in the Small Box.

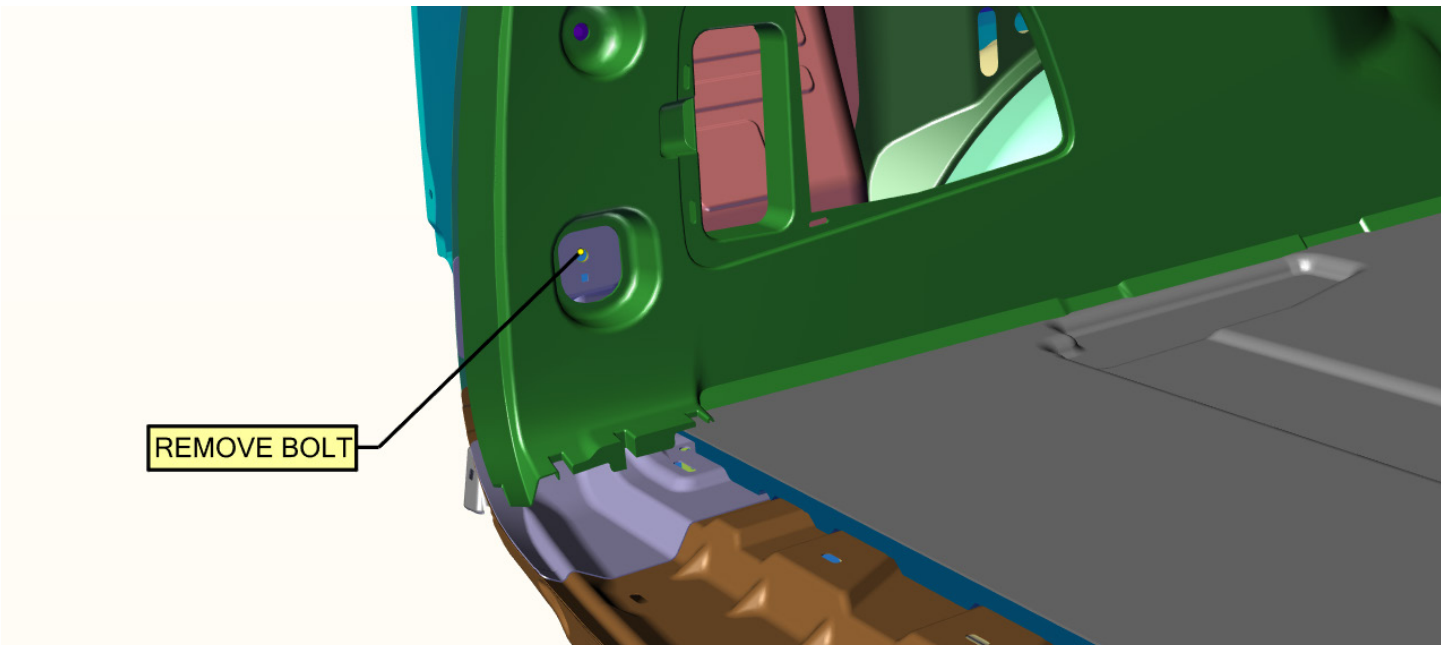


Remove Jack Location Panel, the Wheel Chocks, and the Jack from its location. Place the Jack Location Panel back in its original location once the Wheel Chocks and Jack have been removed.

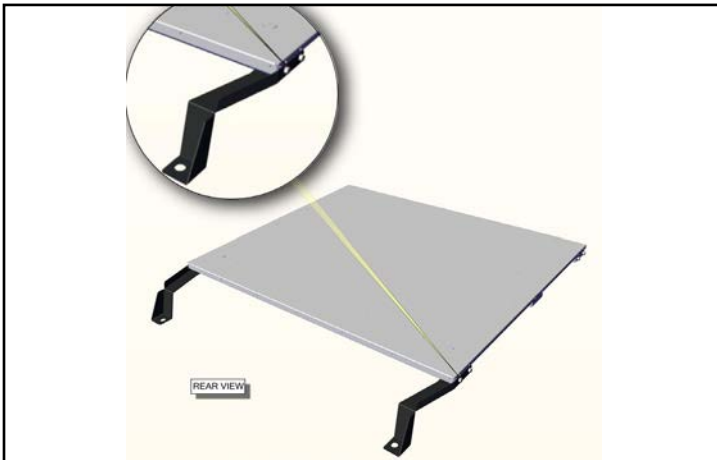




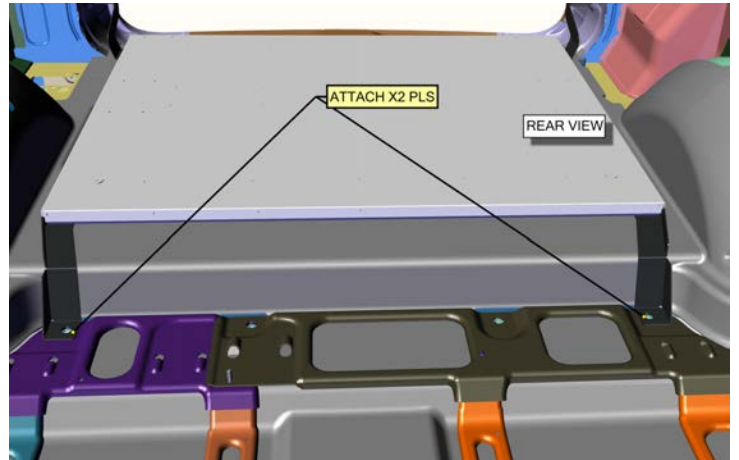
Remove the (2) OEM back inside rear seat bolts with an 18 mm socket.



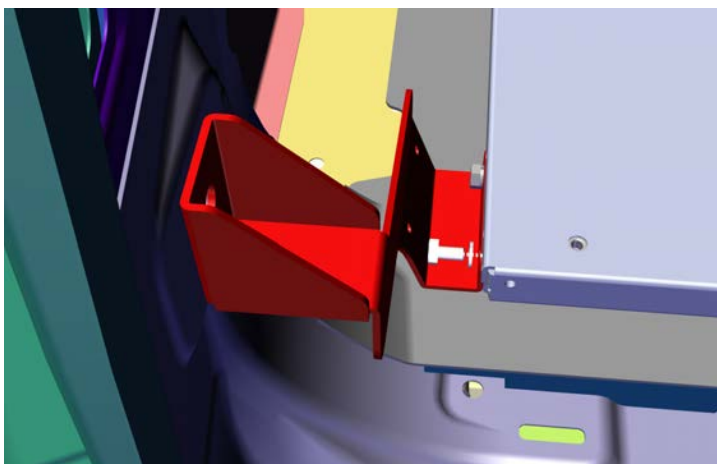
Remove factory OEM bolt with a T-40 Torque Socket on the left and right side of the vehicle. Set aside for assembly.



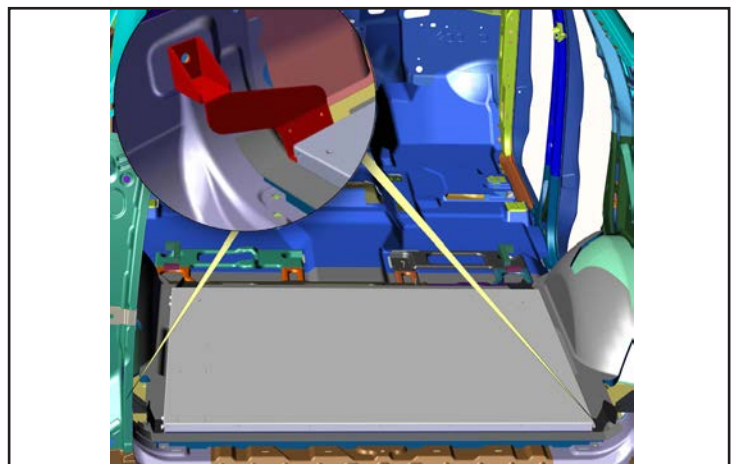
Loosely attach the left and right rear feet to the Base Platform with the provided 1/4-20 bolts and washers.



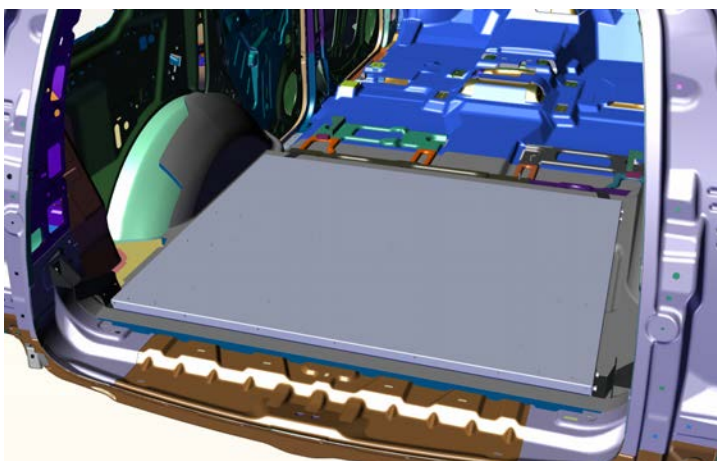
Insert Platform Unit into vehicle. Secure the previously removed rear bolts.



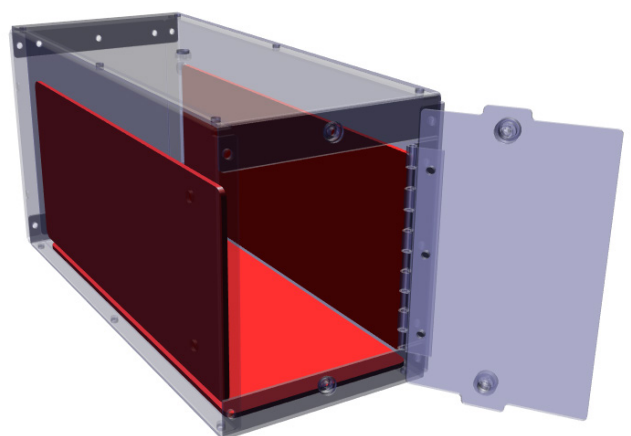
Attach the Front Brackets with the provided 1/4-20 bolts and washers.



Secure the Front Bracket to the vehicle with the previously removed bolts.



Once Base Assembly is placed into the vehicle, check to make sure all hardware is tight and secure.



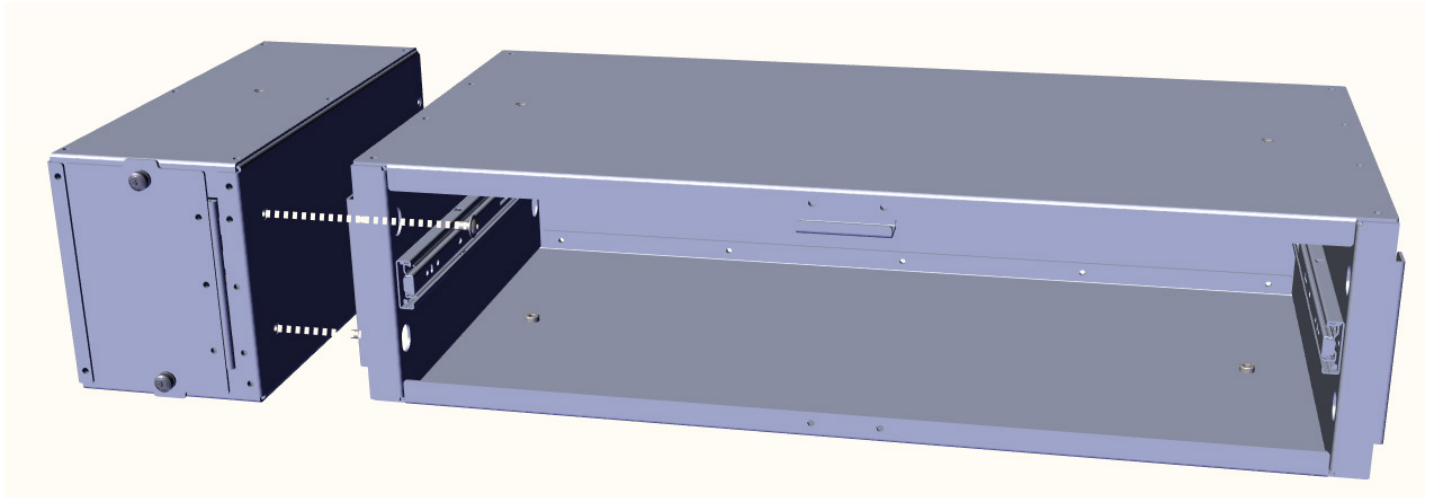
Install adhesive Foam Pads for noise reduction on the inside of the Small Box.



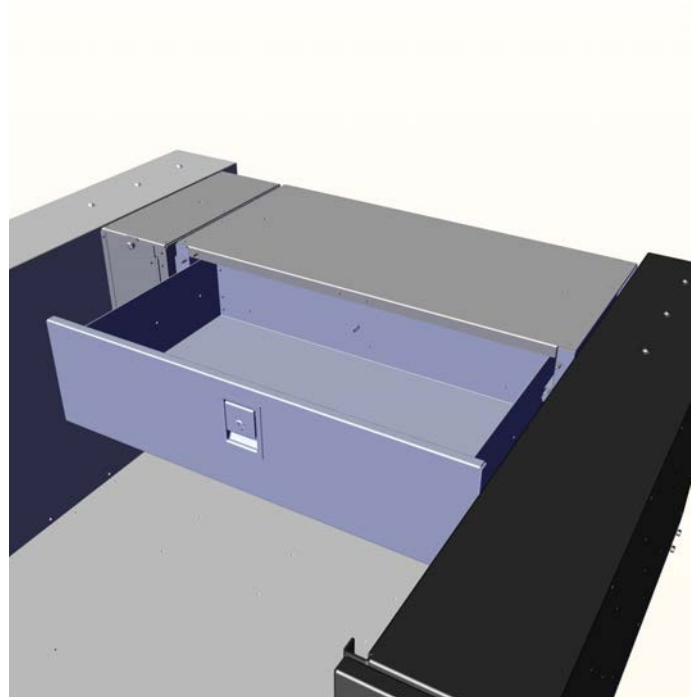
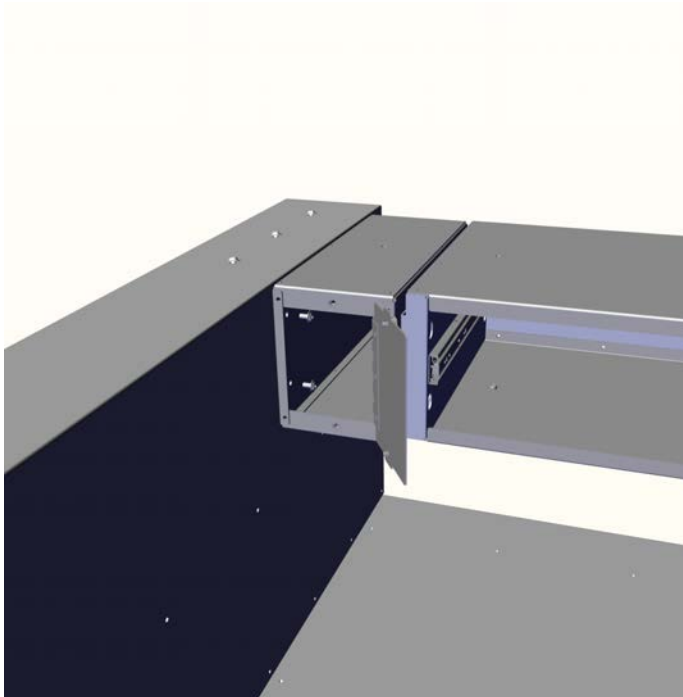


## INSTALLATION INSTRUCTIONS

### Horizontal Drawer Option: (Outside of Vehicle)



Attach the Boxes together with the provided Cap Screws. The Small Box can be positioned on either the driver or passenger side. When complete, the Car Jack and Wheel Chocks will be stored in the Small Box.

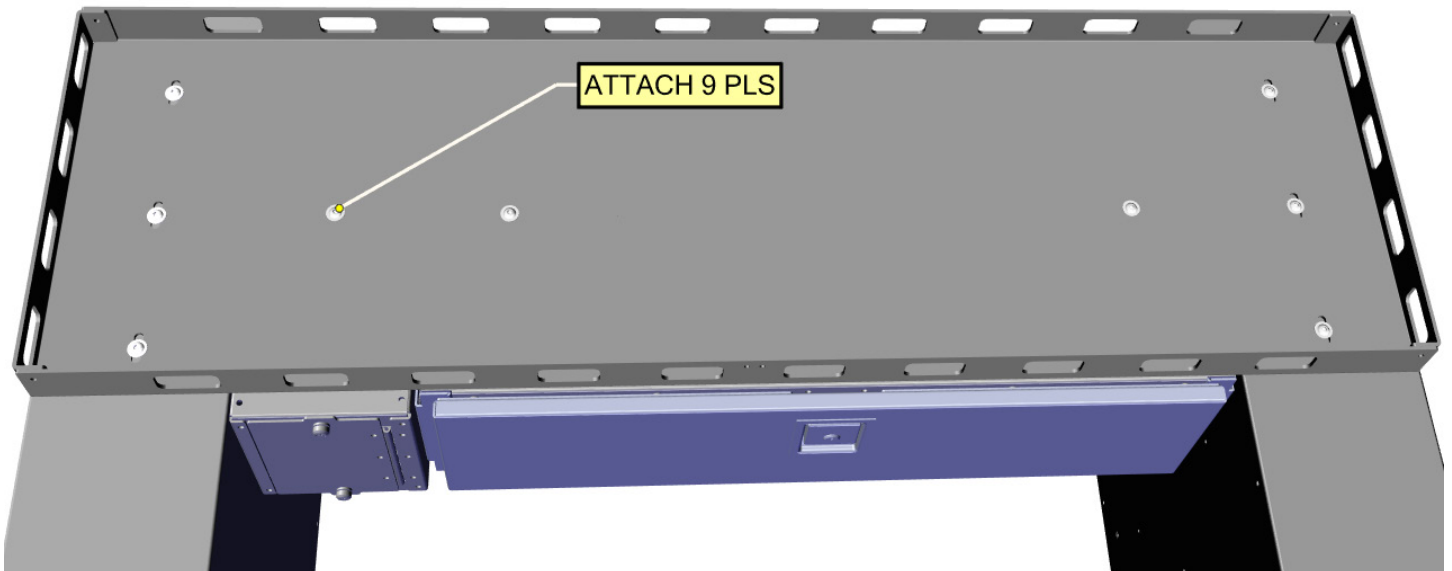
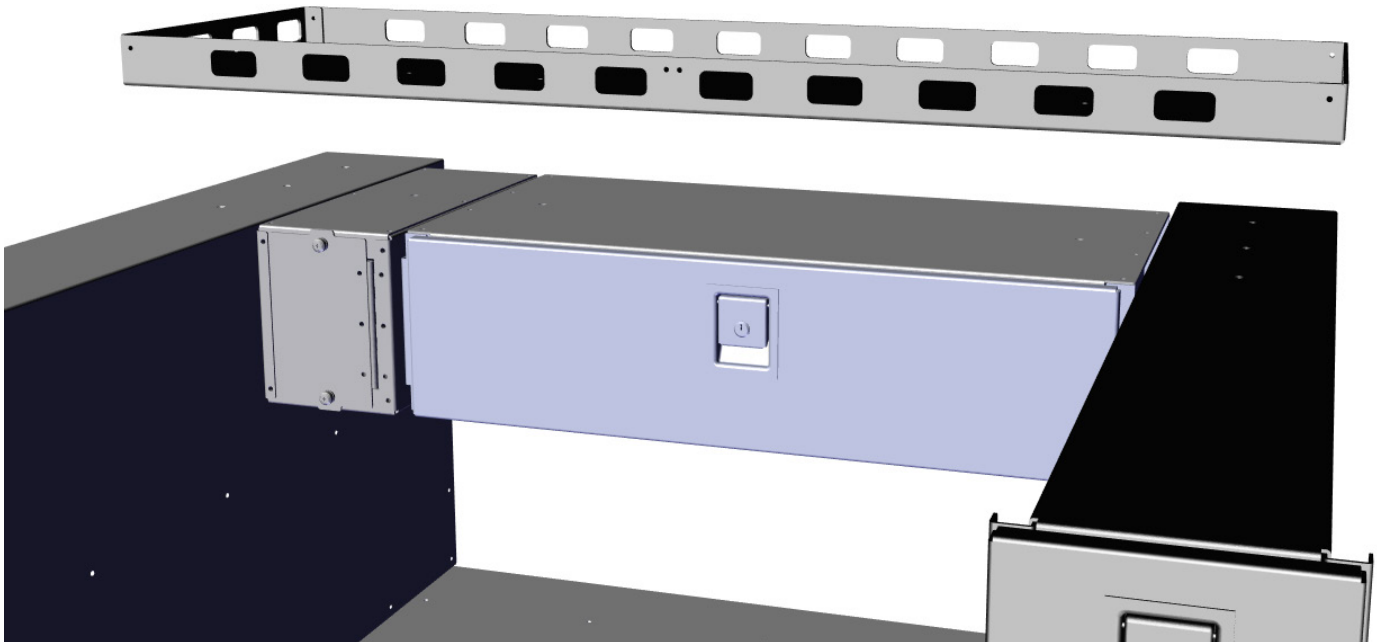


Holding Drawer for easiest view and access, place a Button Head Cap Screw and washer through rear top hole opening. Loosely secure to thread hole of Tower, then rotate Drawer into proper position and place a Button Head Cap Screw and washer through front top hole opening, secure to threaded holes of Tower.



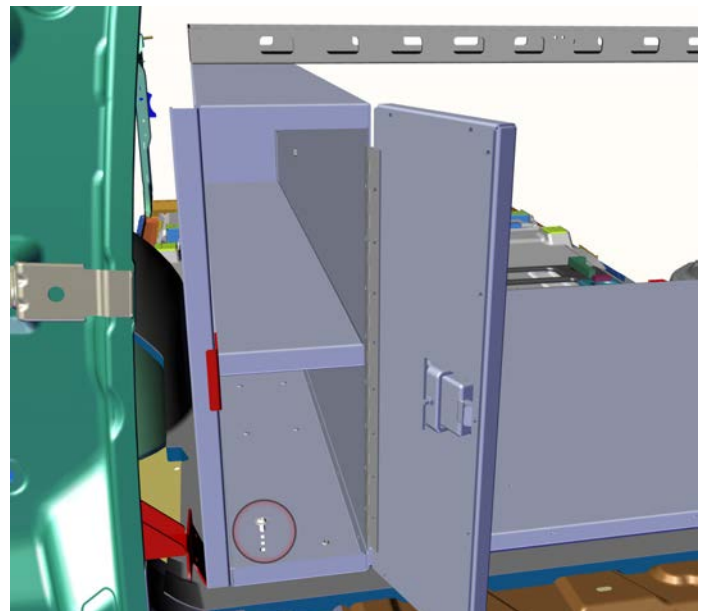
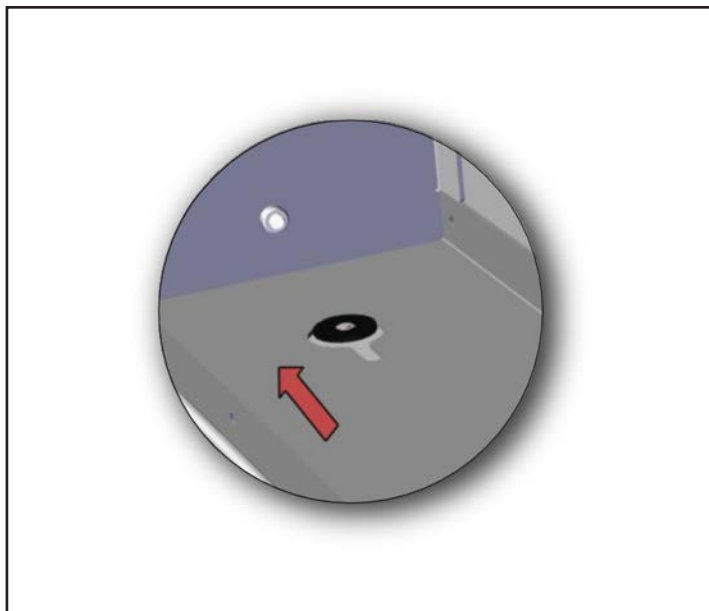
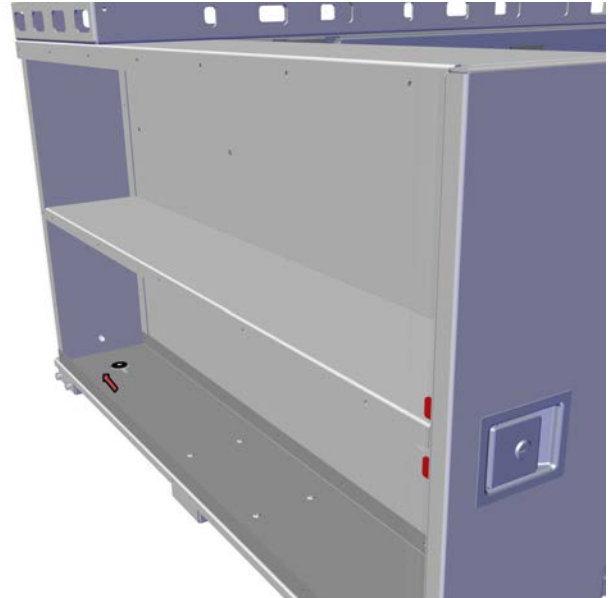
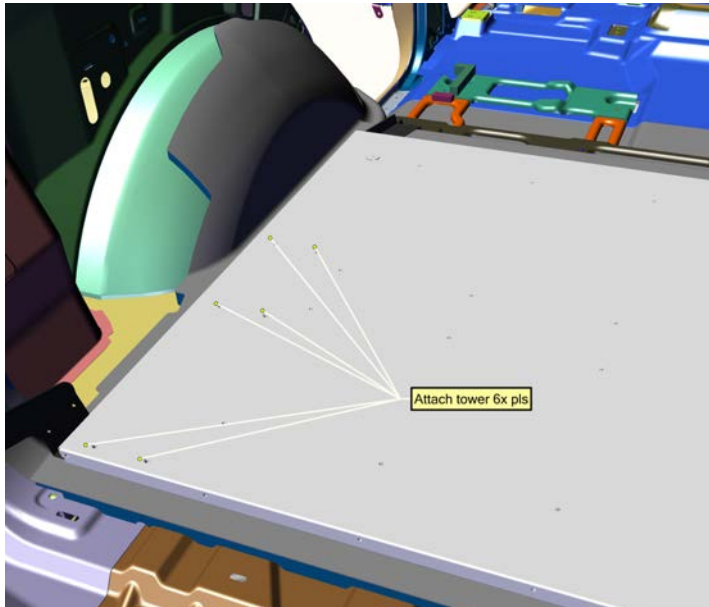
# INSTALLATION INSTRUCTIONS

## PACKAGE TRAY: (OUTSIDE OF VEHICLE)



Set Package Tray on top of rear of Towers and/or Horizontal Drawer. Secure into place using (8) Buttonhead Cap Screws (\*use (6) Buttonhead Cap Screws if purchased without Horizontal Drawer).

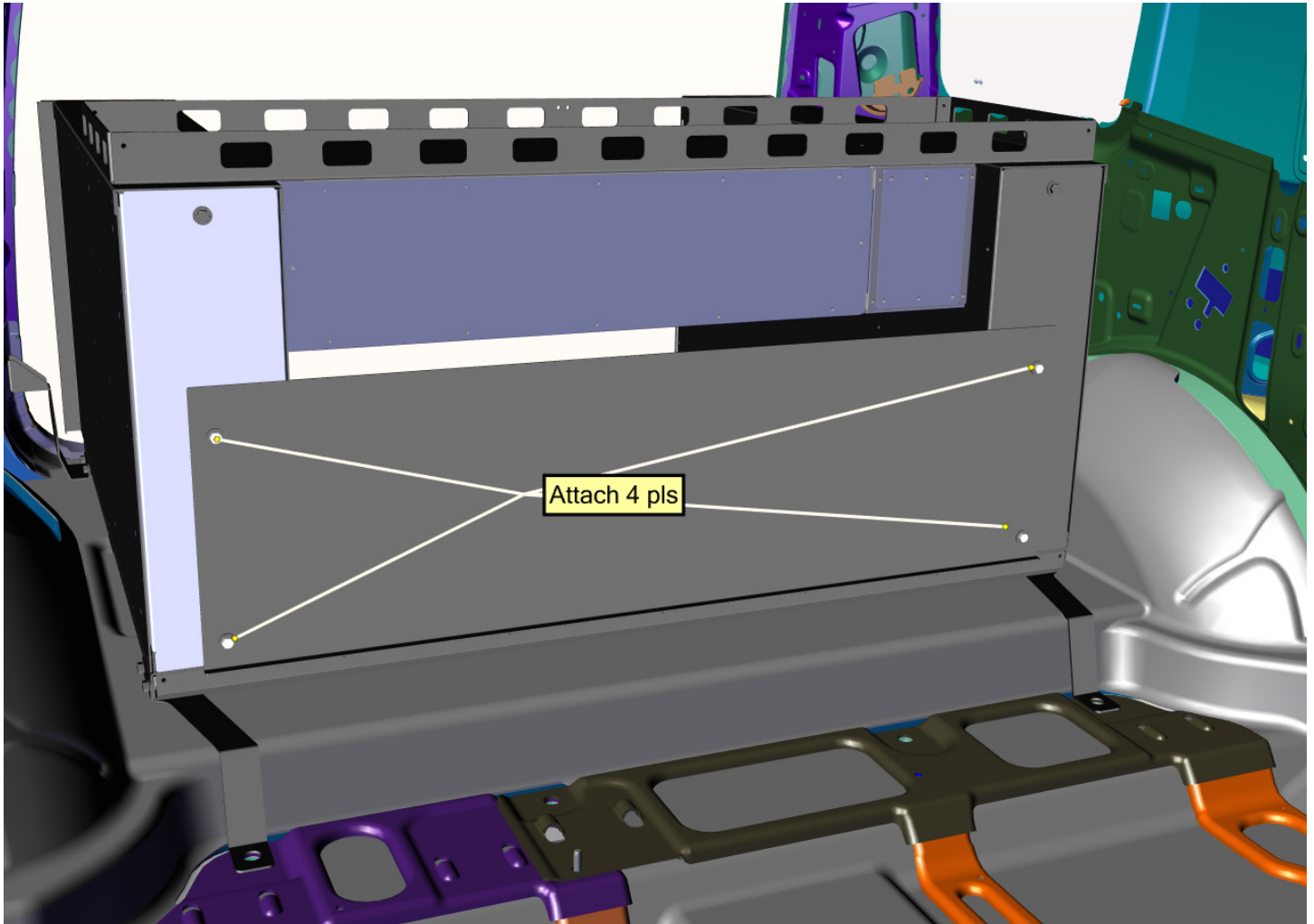
## TOWER OPTIONS



If Center Drawer is purchased, assembly is more easily done outside of vehicle.

Position Towers onto Storage System Flooring. Slide the cabinet to secure in place against the Key Hole Fastener. Secure to flooring using (6) Button Head Cap Screws per Tower into front set of provided openings.

**Backstop: (Not Needed if Mounting Jotto Desk Cargo Barrier)**



Attach Backstop onto Storage System using (4) Button Head Cap Screws.