

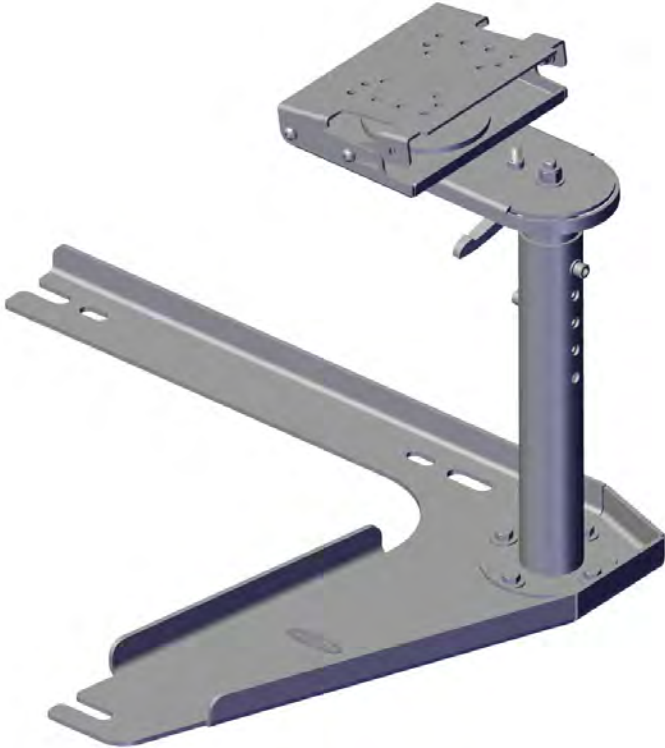


# HD NO HOLES MOUNT

2021+ CHEVY TAHOE, 2019+ CHEVY SILVERADO T1 1500, 2020+ CHEVY SILVERADO 2500 - HEAVY DUTY COMPUTER MOUNT

## Installation Instructions

425-5693



### **WARNING:**

Do not install or use this product in any manner which would interfere with any of the vehicles controls, air bags or safety devices. Follow vehicle owner's manual instructions should a dash warning light come on after installation of this desk. Do not install or use this product in any manner which causes a safety hazard for vehicle and/or occupants.

To avoid serious injury do not place this desk or any objects between the air bags and yourself or any passengers. If necessary remove the desk before driving. Store in trunk or other safe place.

***We recommend that you do not work on the Jotto Desk while driving!***

***Park safely, then use. Remember, driving safely comes first.***

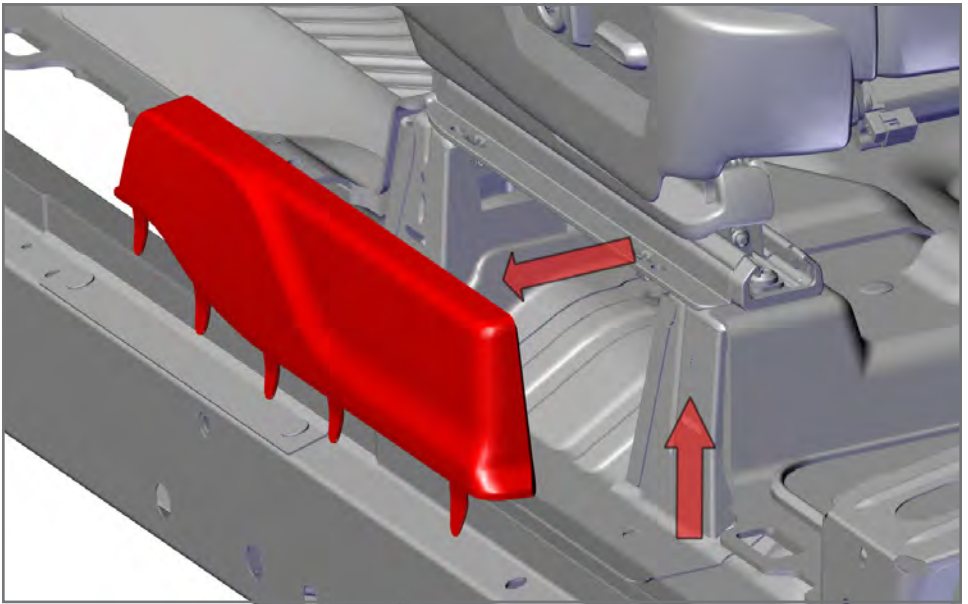
### **WARNING:**

Make sure of and check on a regular basis that all knobs, fastening devices and handles are tight and secure. Repair or replace any faulty or worn parts. All equipment, such as computers, printers, phones, etc. must be safely secured when vehicle is in motion.

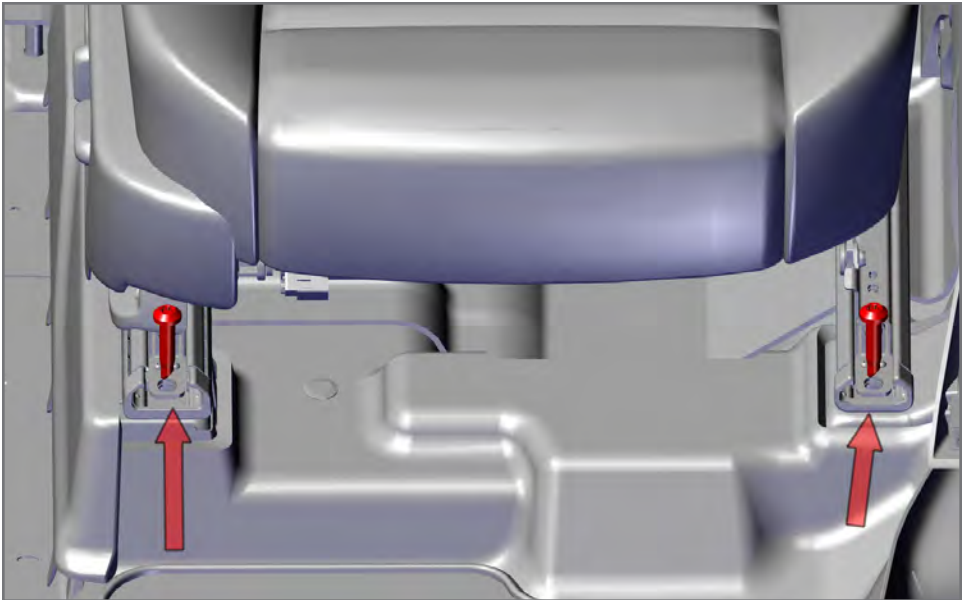
### **DISCLAIMER:**

The manufacturer of this product may not be held liable for any accidents, injuries or problems caused by the use or installation of this product.

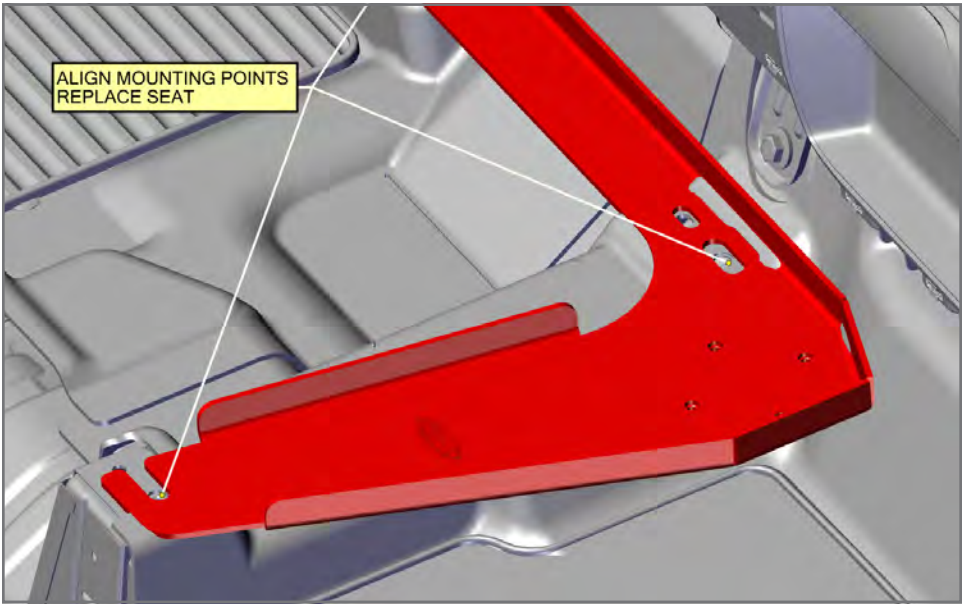
*Specifications subject to change without notice.*



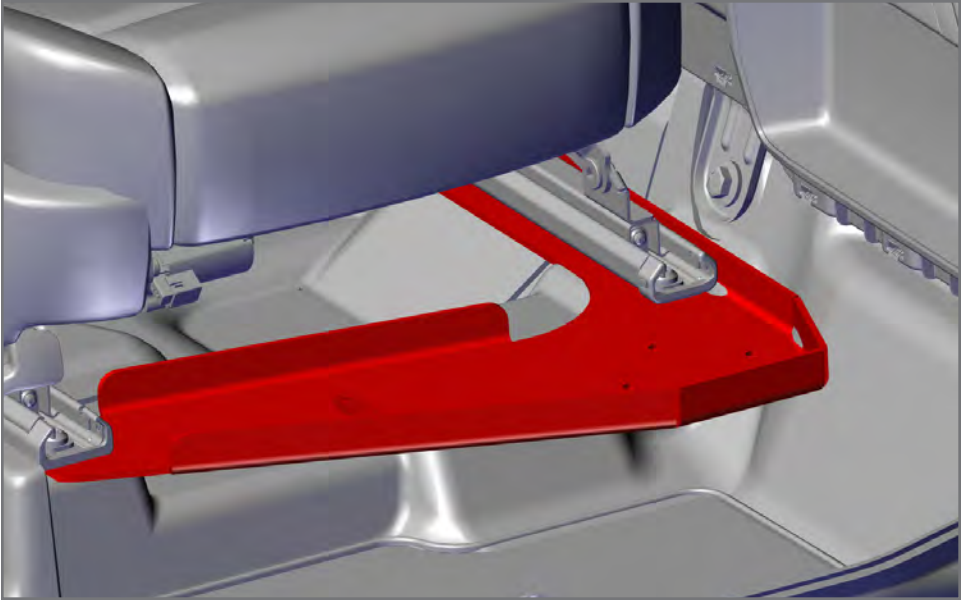
1. Remove the trim cover on the outside of the passenger seat by lifting up then pulling out.



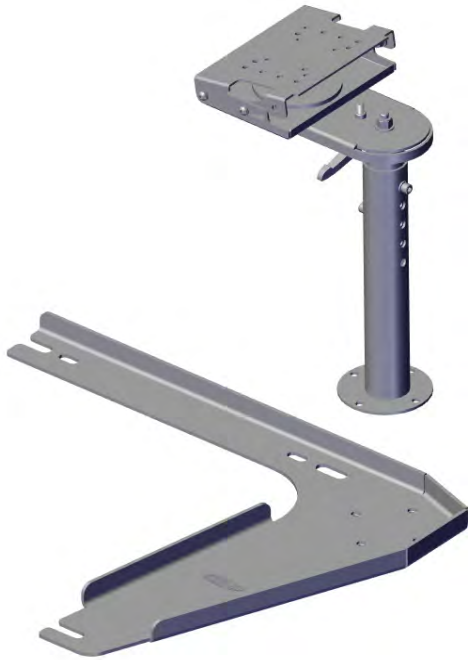
2. Remove the passenger seat from its location by removing the (2) front and (2) rear OEM bolts with a T-50 Torx Socket.



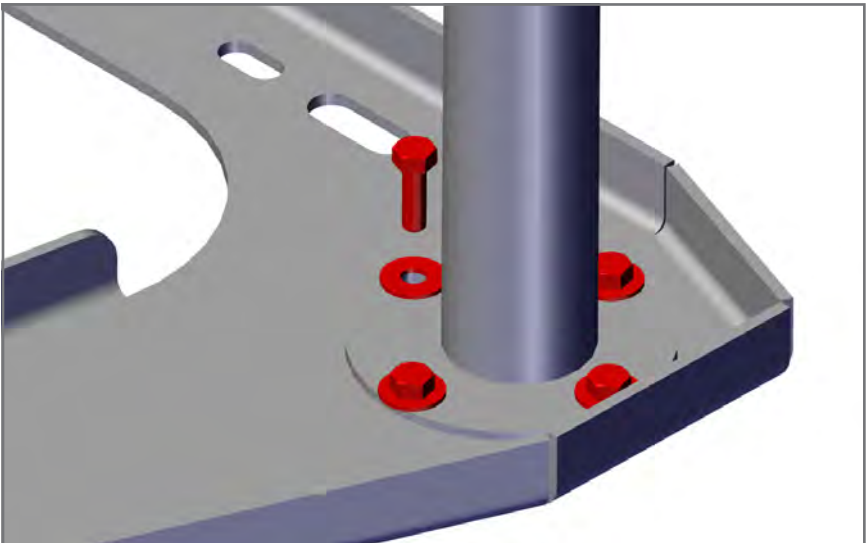
3. Insert base and move the seat back into position ensuring that the location tabs on the seat track fall back into place.

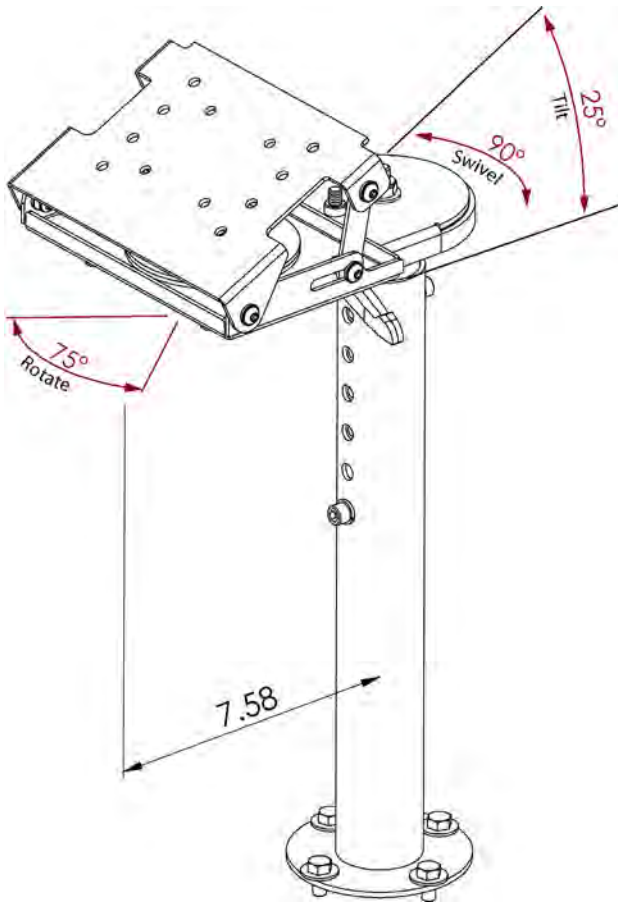


4. Reinsert OEM front and rear seat bolts with a T-50 Torx Socket and seat hardware.



Use a 1/2" socket to secure the upright stand assembly to the base with the provided (4) 5/16-18 bolts and washers.  
**Note: The height adjustment bolts should be positioned bumper to bumper when properly installed.**





Adjust the height of the tube assembly as needed by removing the (2) 5/16-18 socket head cap screws with the provided 1/4" hex key. Re-tighten once desired height is reached.

Open the tilt mechanism fully to allow the attachment of your docking station and/or desktop. Once the desktop is secured to the tilt plate, you can adjust to find the optimal angle. Set the tilt angle by tightening (6) 1/4-20 socket head button screws with a 5/32 hex key and a 7/16 wrench. Rotate the arm, tighten the ratchet handle to lock the unit in place.

The horizontal arm can rotate 90° once the ratchet handle has been loosened. This will allow the driver to choose the best placement of the computer. Once desired position has been reached, retighten ratchet handle.

The desktop/computer can be rotated 75° without the need to loosen/tighten anything. The design utilizes friction discs to make final adjustments easier.

# A-MOD DESKTOP



A Jotto Desk Laptop Mount featuring the A-MOD Desktop is the ultimate desktop solution to secure a laptop computer in a mobile environment. The fully adjustable A-MOD Desktop features a lightweight, yet rugged lockable design with superior ergonomics.



## A-MOD DESKTOP

- A. Side Clamps, Standard or Tall (Case Hardened Steel)
- B. Front Tabs (Case Hardened Steel)
- C. Rear Tabs and Offset Rear Tabs (Case Hardened Steel)
- D. Tubular Lock - Solid Brass/High Security
- E. Side Trays
- F. Rear Tray
- G. Latch Release Handle

## ORDERING INFORMATION

### 450-4138 A-MOD Desktop, Adjustment Range Dimensions:

**Width:** 11.25" to 13.625"

**Depth:** 9.25" to 11" (with extensions)

**Clamp Height (Tall Clamp):** 1" to 2.25"

**Weight:** 4.65 lbs.

### 450-4139 A-MOD XL Desktop, Adjustment Range Dimensions:

**Width:** 13.5" to 16"

**Depth:** 9.25" to 11" (with extensions)

**Clamp Height (Standard Clamp):** 0.625" to 1.25"

**Weight:** 5.1 lbs.

# REPLACEMENT COMPONENTS



**A-MOD Desktop**  
450-4139 XL



**HD Base, Tahoe/Silverado**  
425-5694



**HD Stand Assembly**  
425-5613



**CF31 Intelligent Docking Station**  
450-4103 Dual Wireless Pass  
450-4102 Wireless Pass  
450-4101 Standard



**CF53 Intelligent Docking Station**  
450-4111

# JOTTO DESK ACCESSORIES



**USB Light**  
425-2082 (A-MOD)  
425-2490 (Docking Station)

12" flexible wand with blue LED's and rheostat to adjust brightness. Three foot power cords into cigarette lighter



**Screen Support**  
425-5999 (Docking Station)

The Screen Support is designed to keep your screen in place while you use your computer. It attaches directly to the desk and adjust in height and tilt angle.



*Jotto Desk*

**VEHICLE MOUNTING SOLUTIONS**



**209 W. EASY ST., ROGERS, AR 72756 • JOTTOPUBLICSAFETY.COM • 6/24**

Jotto Desk™ is a patented product and Registered Trademark of Assembled Products™ Corporation.  
Specifications subject to change without notice.

050-0007-00

