



CONSOLE SIDE MOUNT (CSM)

2021+ FORD F-150 LIGHTNING

Specification Sheet

425-5702/4143

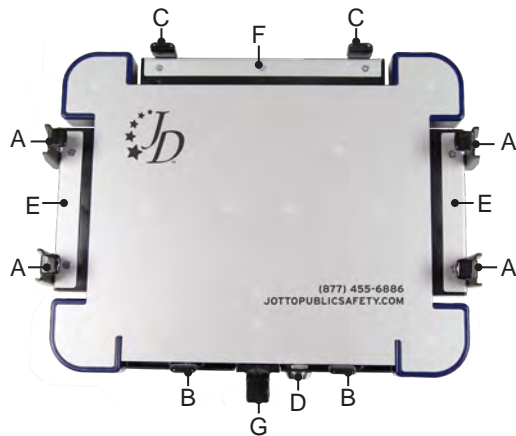
DETAILED INFORMATION

Console Side Mount

- Height Variation**Adjustable to desired height
- Swing Arm**..... 1" square x 6-3/4"
· Solid Aluminum, Black Anodized
- Base Mount** 5/8" Mounting Post
· One-piece Side Mount Base

A-MOD (Adjustable-Mobile Operations Desktop)

- Length**..... 13.5"
- Width** 10.75"
- Height**..... 1"



450-4143 A-MOD DESKTOP

- A. Side Clamps, Standard or Tall (Case Hardened Steel)
- B. Front Tabs (Case Hardened Steel)
- C. Rear Tabs and Offset Rear Tabs (Case Hardened Steel)
- D. Tubular Lock - Solid Brass/High Security
- E. Side Trays
- F. Rear Tray
- G. Latch Release Handle

HOW TO ORDER

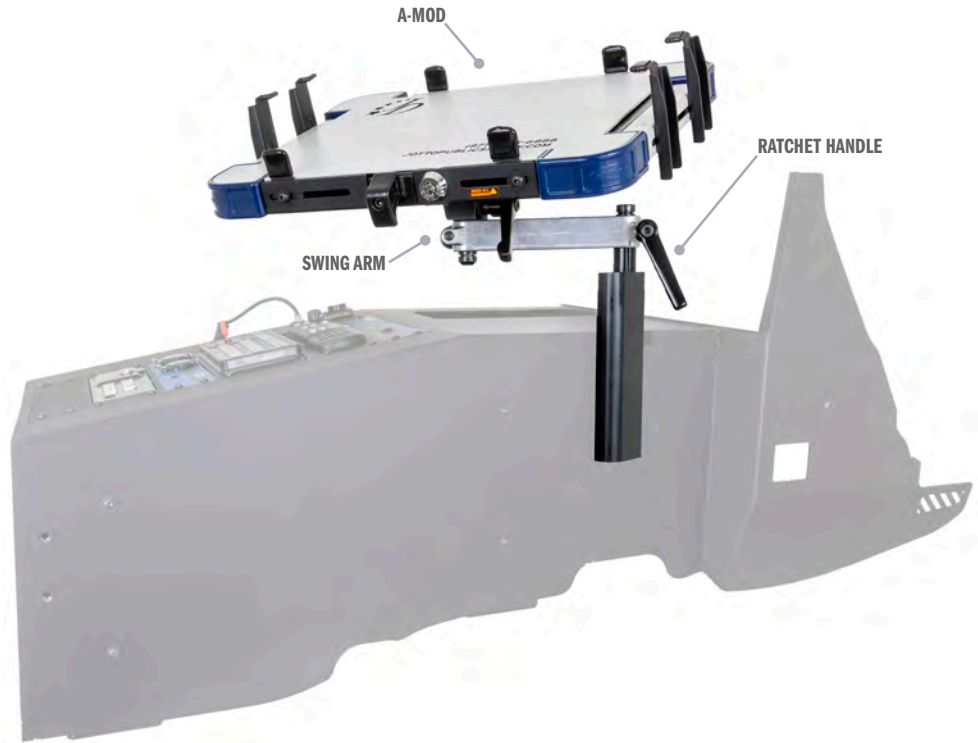
Computer Mount Package

425-5702/4143 (A-MOD)

Includes: Desktop, Swing Arm, Side Mount Base, and Hardware

Base

425-2827



A-MOD Desktop

Rotates 360° with ergonomic platform tilt. "One Hand" operation for removing and securing computer. Height and width adjustments allow for securing the majority of laptop computers. XL model available for larger laptops (450-4144).

Swing Arm

Rotates 360° around stand and extends 6 3/4"

Ratchet Handles

Secures swing arm positioning and allows for 360° swing arm rotation.

Side Mount Base

Stand attaches to base and houses Telescoping Rod.

One Piece Mounting Base

3/16" gauge steel, one-piece base design increases overall sturdiness and frees up leg room.

Telescoping Tripod Support

Two Brace kits attached to the stand provide additional support. Both braces can be mounted to varying flat, vertical or angled surfaces.



209 W. EASY ST., ROGERS, AR 72756 • JOTTOPUBLICSAFETY.COM • 9/24

Jotto Desk™ is a patented product and Registered Trademark of Assembled Products™ Corporation.
Specifications subject to change without notice.

