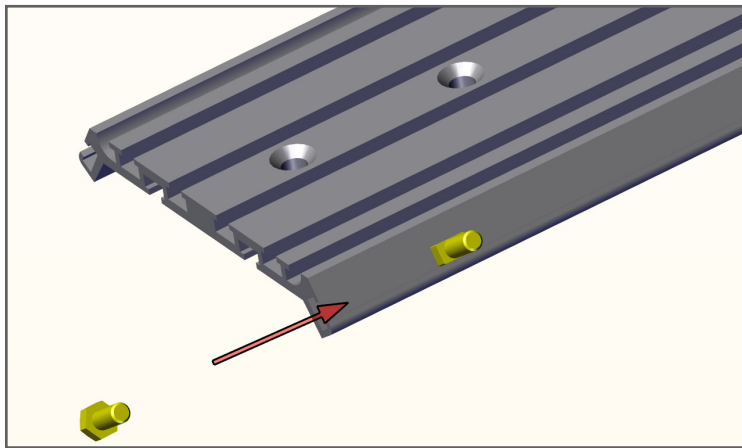
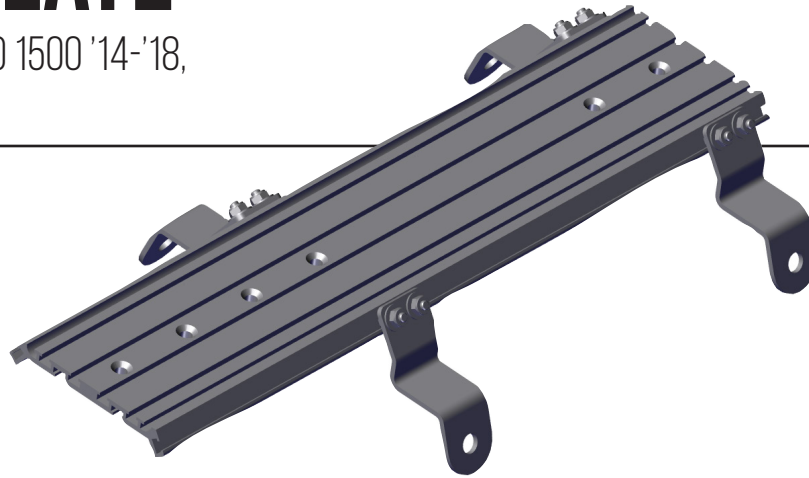


# 28" FLOOR PLATE

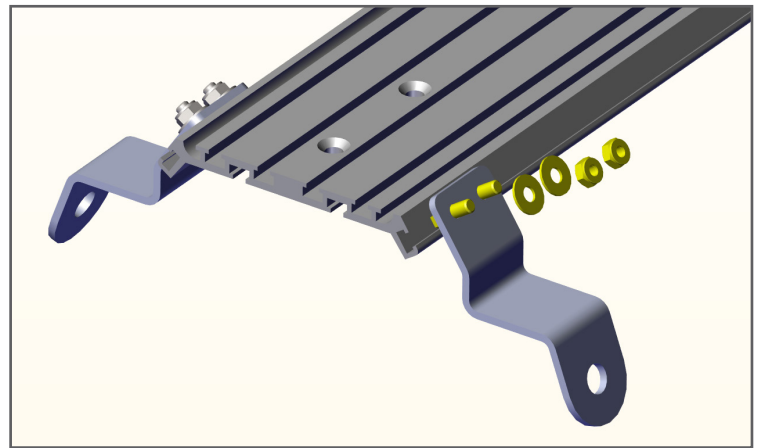
CHEVY TAHOE '15-'20, SILVERADO 1500 '14-'18,  
& SILVERADO 2500 '15-'19

425-6022

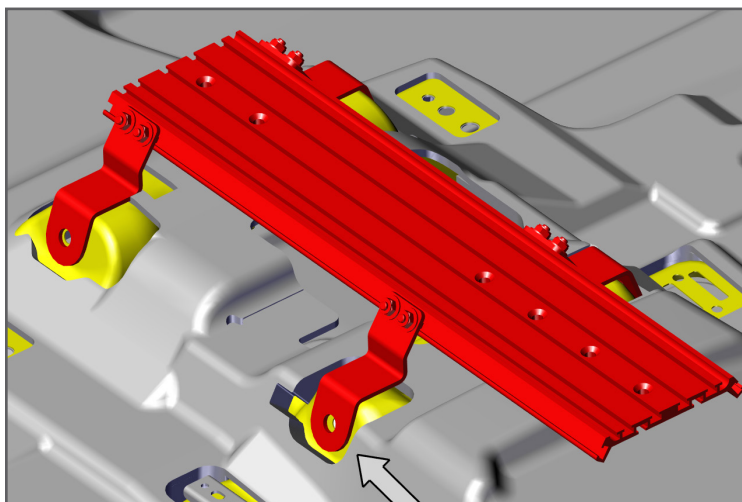
## Installation Instructions



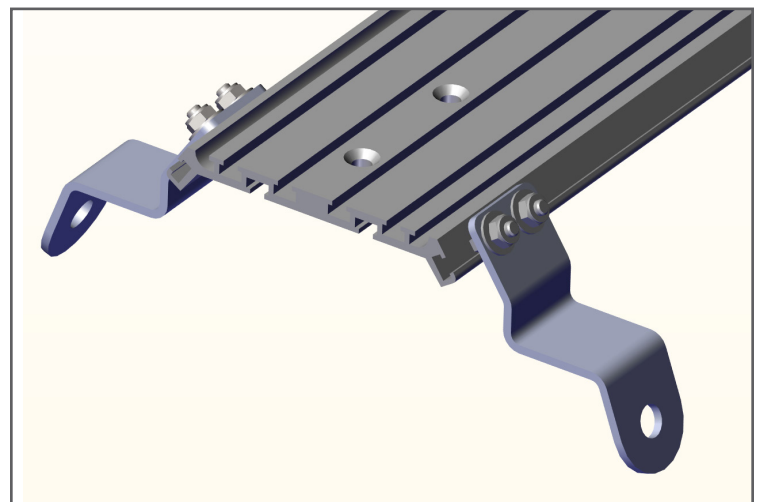
1. Install (8) of the 5/16-18 bolts in the side channel of the Floor Plate, four per side.



2. Line up the bolts with the holes in each leg and secure with the provided 5/16 washers and 5/16 nuts. Lightly tighten so that adjustment will be easier after installed in the vehicle.



3. Align the Floor Plate Legs with the holes in floor board. Replace with OEM hardware or provided self-tapping bolts.



4. Once the Floor Plate is installed, adjust the floor plate (front to rear) as needed. Tighten the 5/16 nuts securing the legs with a 1/2" socket.

If you have questions or need further assistance please call Technical Support: 1.877.455.6886



209 W. EASY ST., ROGERS, AR 72756 • [www.JottoPublicSafety.com](http://www.JottoPublicSafety.com) • 9/20

Jotto Desk® is a patented product and Registered Trademark of Assembled Products™ Corporation.  
Specifications subject to change without notice.