



28" FLOOR PLATE

2021+ CHEVY TAHOE

Installation Instructions

425-6568

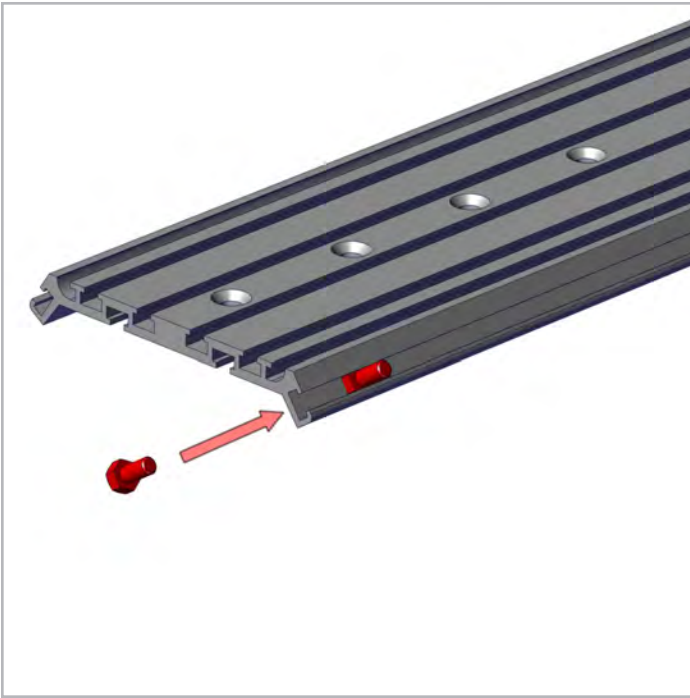
425-0021



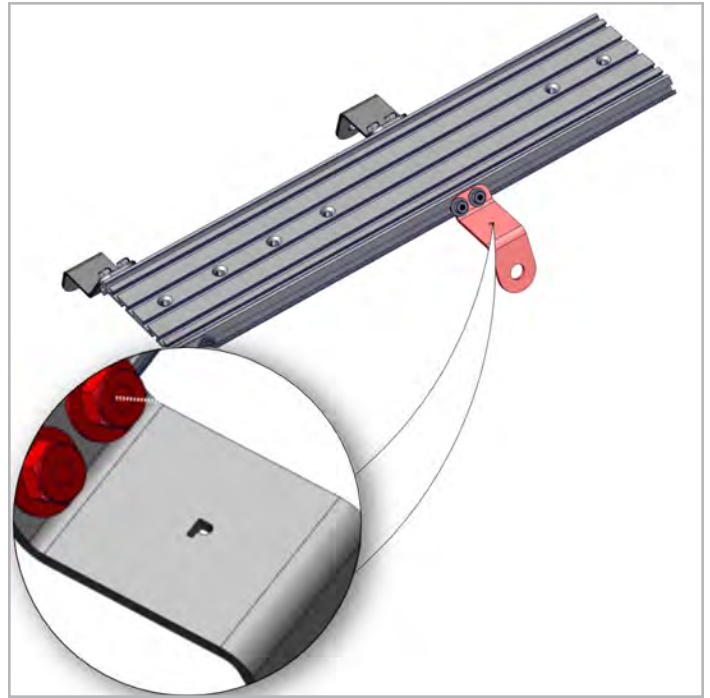
Recommend removing OEM Driver and Passenger Front Seats for easier installation.

GM provides (4) bolt locations in the floor pan of the vehicle to secure the “center seat”. If you ordered your vehicle with the center seat – simply remove the center seat and reuse the OEM 12MM bolts to secure the mounting legs (floor plate or console).

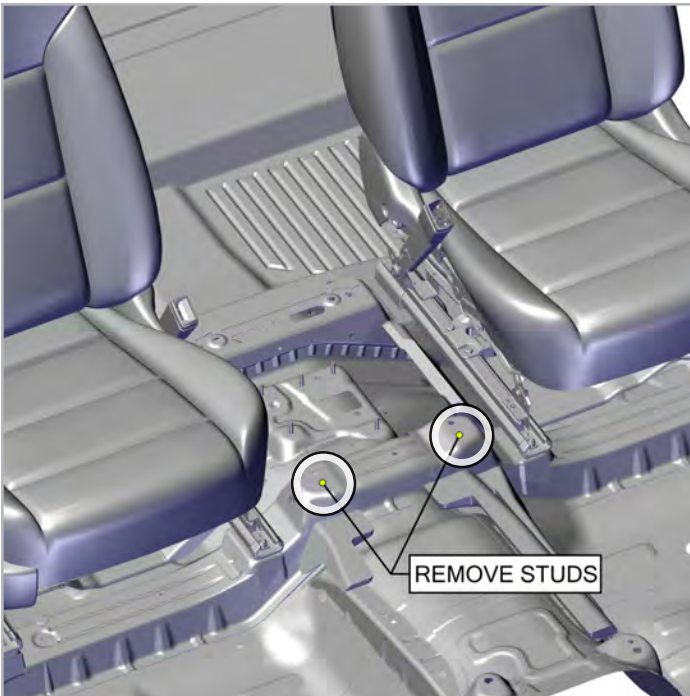
However, if you chose the “seat delete” option when ordering the 2021 Tahoe, the (4) OEM bolts will not be available, and the (4) bolt locations will be unthreaded arrest welded bungs. Jotto Desk provides 1/2”-13 x 1.5” long TCS bolts (4) for securing the mounting legs (floor plate or console). It is recommended that the four unthreaded bungs first be drilled out with a 27/64 drill bit, in order to properly size the hole for the 1/2” thread cutting bolts. Then, using a 1/2” Drive Impact (air if available) and cutting oil, drive the TCS bolts into the bungs.



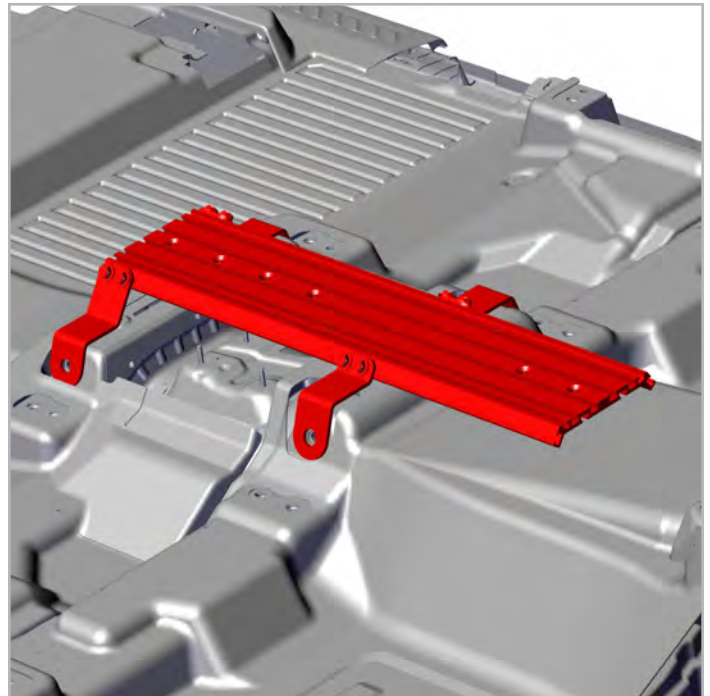
1. Install (8) of the 5/16-18 bolts in the side channel of the Floor Plate, four per side.



2. Line up the bolts with the holes in each leg and secure with provided 5/16 washers and 5/16 nuts. **NOTE: Indicate the correct leg for the passenger front with the cut out "P".**



3. Some vehicle OME trim levels may have (2) threaded studs located on top of the transmission hump that will prevent installation of the front Floor Plate Legs. Remove the studs by cutting them off or knocking loose with a hammer. **NOTE: Remove the plastic cover preventing the Floor Plate installation. The Floor Plate will still protect all electronics from previous warnings.**



4. Secure the Floor Plate Legs to the OEM mounting holes with provided hardware. Once installed, adjust the Floor Plate (front to rear) as needed. Tighten the 5/16 nuts securing the floor plate in position.

If you have questions or need further assistance please call Technical Support: 1.877.455.6886



209 W. EASY ST., ROGERS, AR 72756 • JTOPUBLICSAFETY.COM • 2/25

Jotto Desk™ is a patented product and Registered Trademark of Assembled Products™ Corporation.
Specifications subject to change without notice.

050-0195-00

