



CONTOUR CONSOLE

FORD F-150 LIGHTNING 2021+

Installation Instructions

425-6710



1. Move the DS/PS seats to the forward position. Remove the exposed OEM 10mm screws.



2. From the P/S of the console. Pull to unclip the lower trim section followed by the upper trim section.



3. From the D/S of the console. Locate and remove the 7mm OEM screw securing the lower forward trim. Once removed, pull to unclip lower trim section followed by the upper trim section.



4. Move the DS/PS seats to the back position giving access to the OEM 10mm screws located in the sides of the center console.



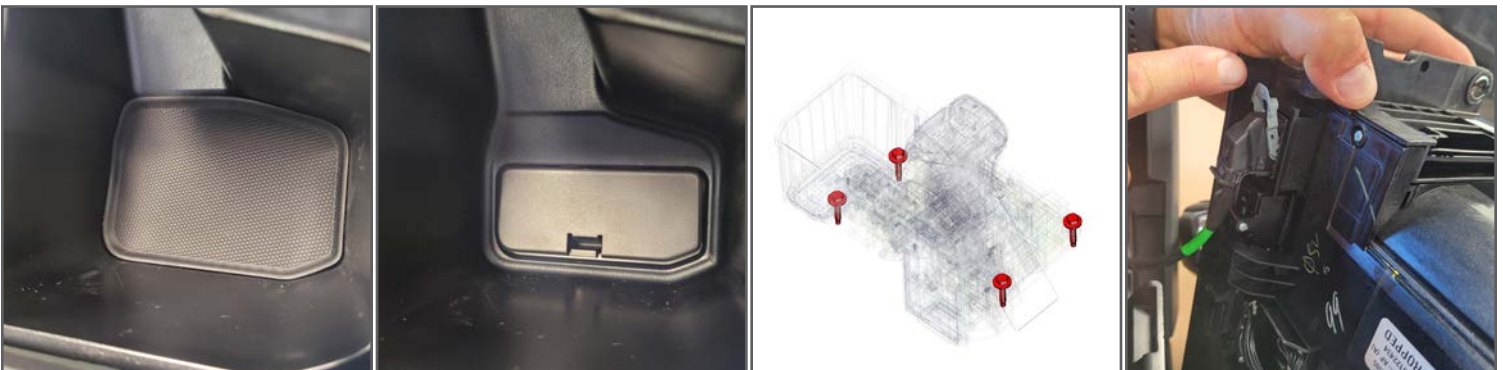
5. Remove the (2) OEM 10mm screws located on upper front of the center console attaching to the lower dash.



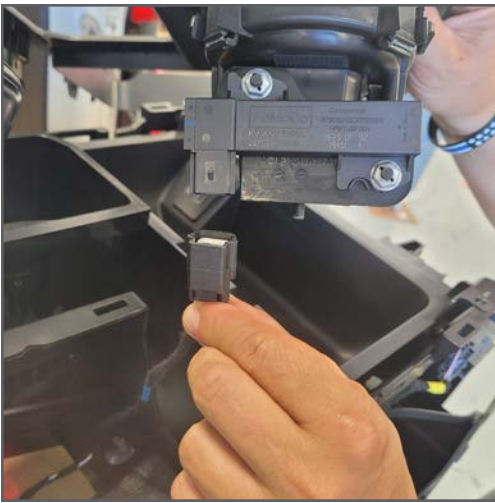
6. A: Unplug the consoles OEM wire harness from the (2) connections located on the front DS/PS sides coming from the dash structure.
 B: Unplug the consoles harness from the vehicles main harness located behind and under the passenger seat.
 C: Side back the OEM console and tilt up to unplug the connection supplying the consoles rear accessories.



7. Remove the console from the vehicle and take to a location where further disassembly can be performed. Pop loose the (6) clips of the consoles top trim to remove the cup holder and shifter.



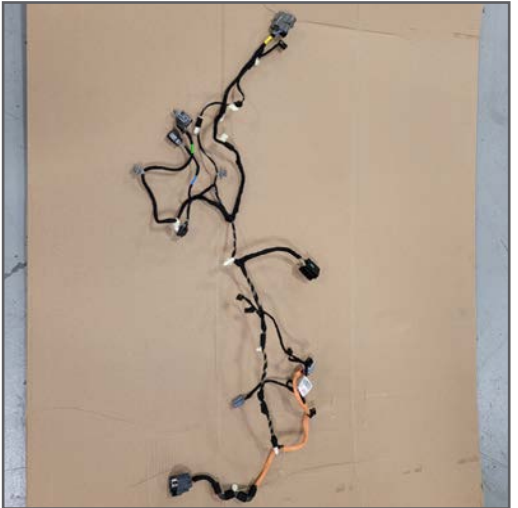
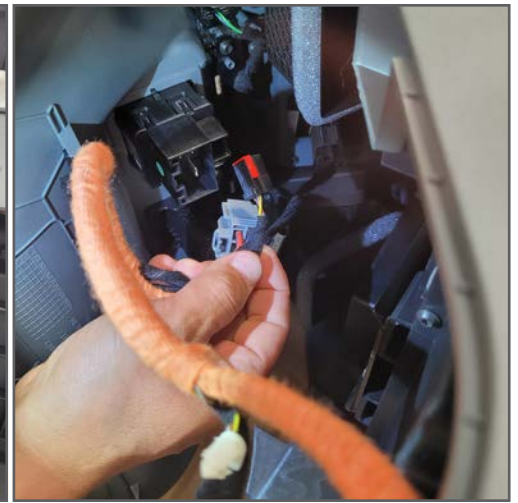
8. Pull out the rubber insert in front of the collapsible shifter exposing a removable plastic tab. This gives you access to the (2) of the (4) OEM screws. Once removed disconnect the OEM harness and **set aside**.



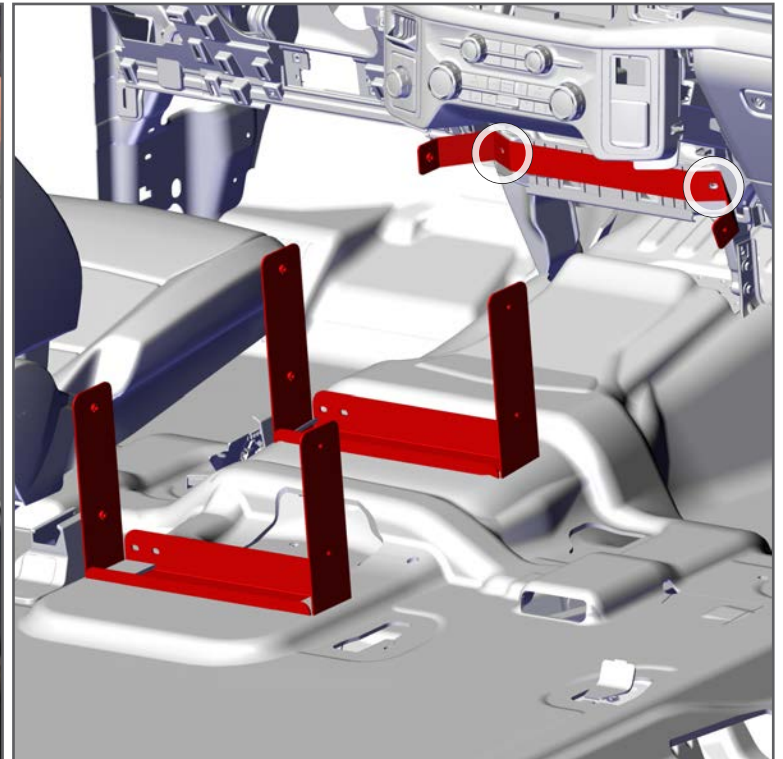
9. Unclip the console's cup holder from its location. Unplug the proximity sensor and hardware. **Set aside.**



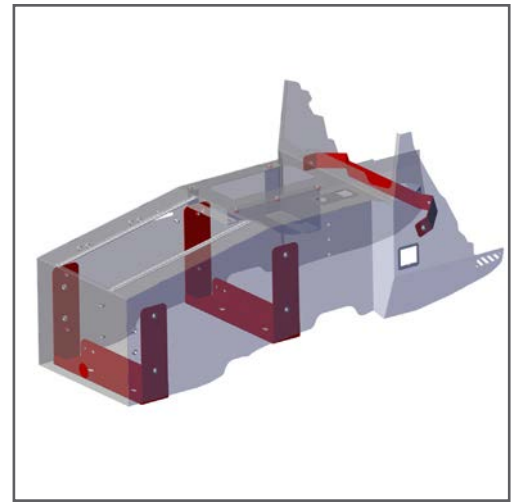
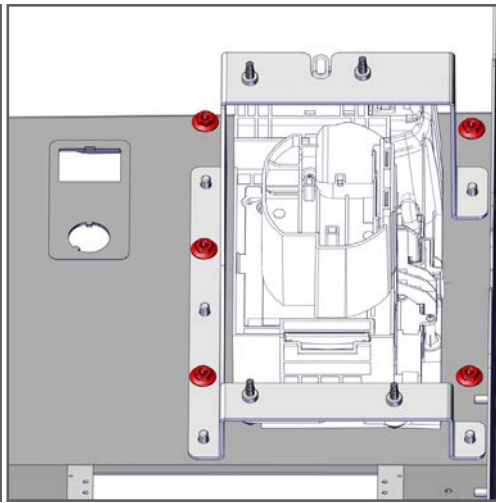
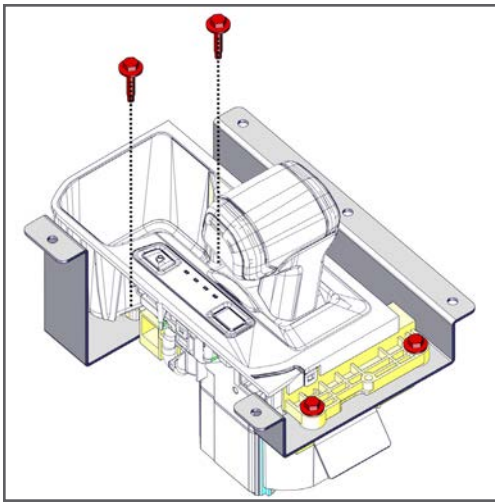
10. Place the center console on its side and pop loose the rear trim. Unplug and remove the USB and 120v power plugs.



11. Fully remove the OEM harness from the center console. Unclip and disconnect accessories as you proceed.

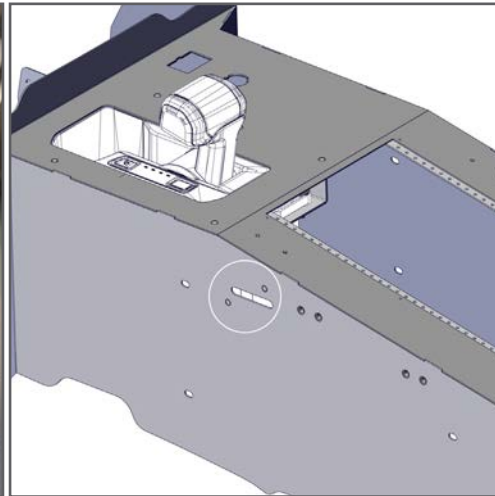


12. Remove the (4) 18mm bolts attaching the console's OEM brackets to the floor. With previously removed OEM hardware, secure the provided (2) Console Mounting Brackets in their place, followed by the Front Support Bracket with previously removed (10mm screws from REF Step 5)



13. Attach the collapsible shifter to the Shifter Bracket with previously removed hardware. Once secure, transplant the assembly to the Contour Console and secure with (6) Flange Nuts.

14. Place the Contour Console into the vehicle. Secure the Console to the installed brackets and secure with provided Socket Head Cap Screws (10) places. Secure lower front with previously removed OEM hardware. (REF Step 3)



15. Place the OEM harness into the Contour Console. Plug in the collapsible shifter, and the proximity sensor. Secure the proximity sensor to the threaded studs located inside the Console. Use previously removed hardware for this step. (REF STEP 9)



16. Complete installation by plugging in the consoles harness to the main vehicle harness connection. Plug in and secure to the Contour Console the USB outlet, 12v outlet, and 120V power supply plug. (REF STEP 6 for plug /connections)

Note: Vehicle will fail to operate unless you fully secure and attach the following sensors / plugs

Collapsible shifter / Proximity sensor / 120- volt power supply

