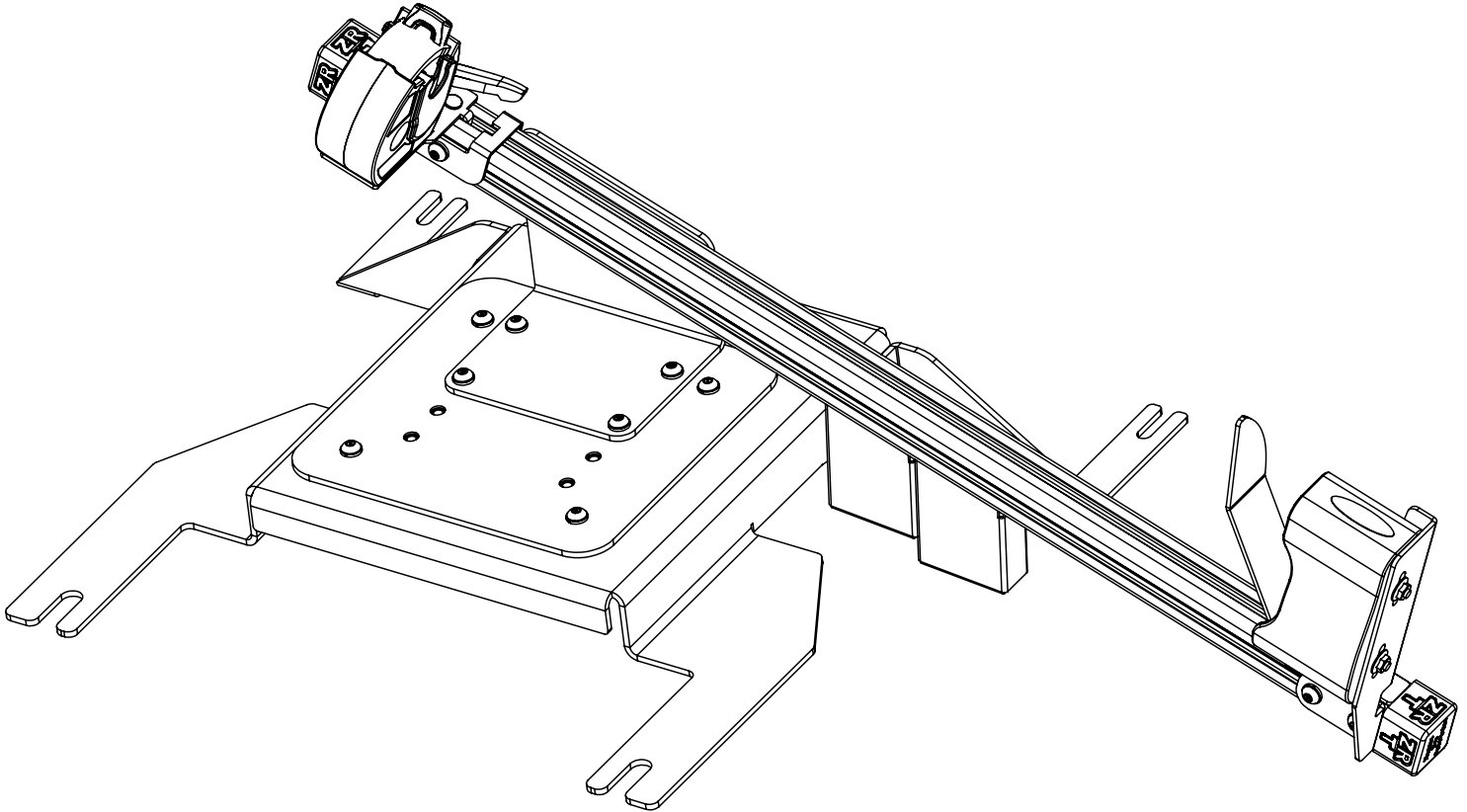




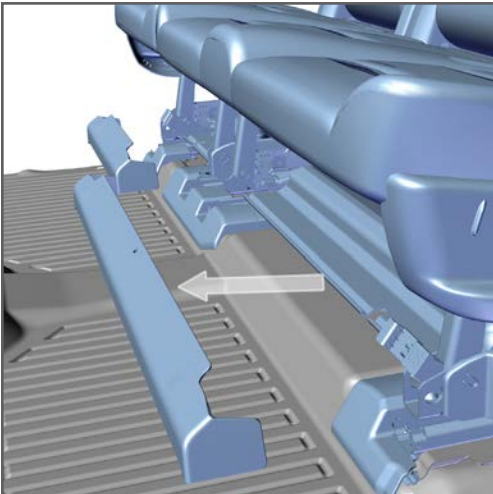
# GR6, ZRT, AR-BLM, TAHOE 2021+ CHEVY TAHOE 2021+

## Installation Instructions

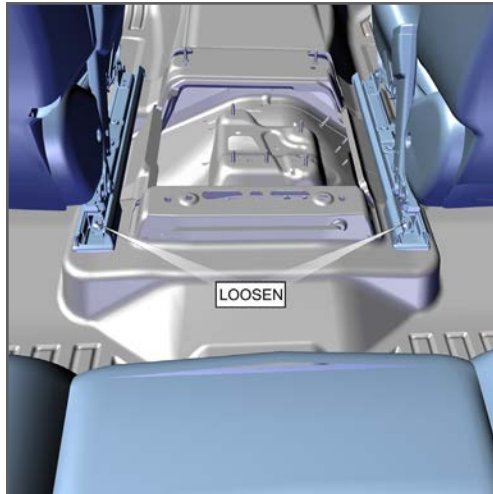
475-1026



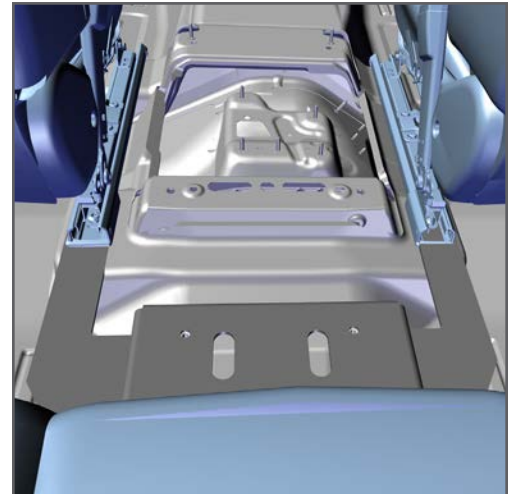
**Note: Install GR6 Gun Rack BEFORE CB4 Cargo Barrier.**



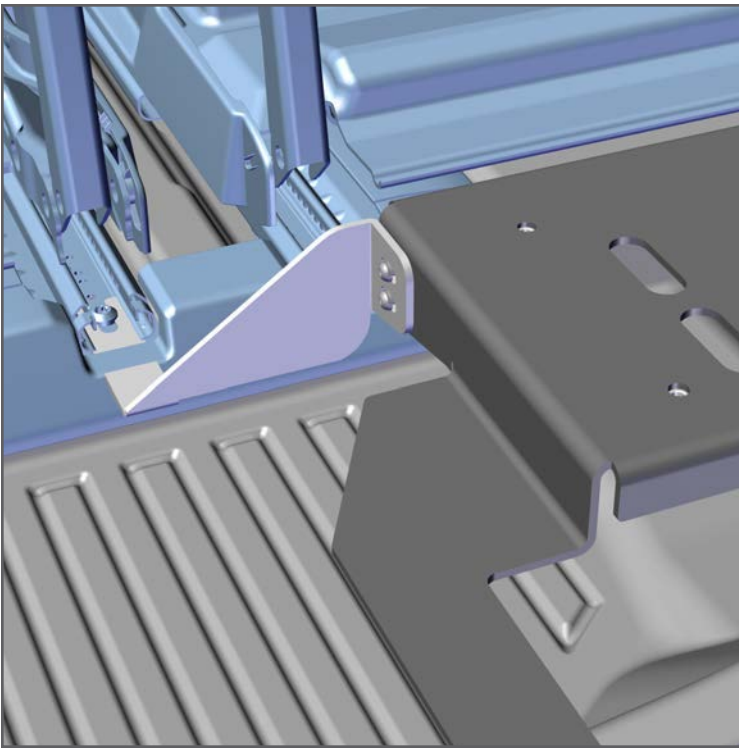
1. Adjust/slide rear seats fully backv. Pull to unclip plastic trim from rear seat frame.



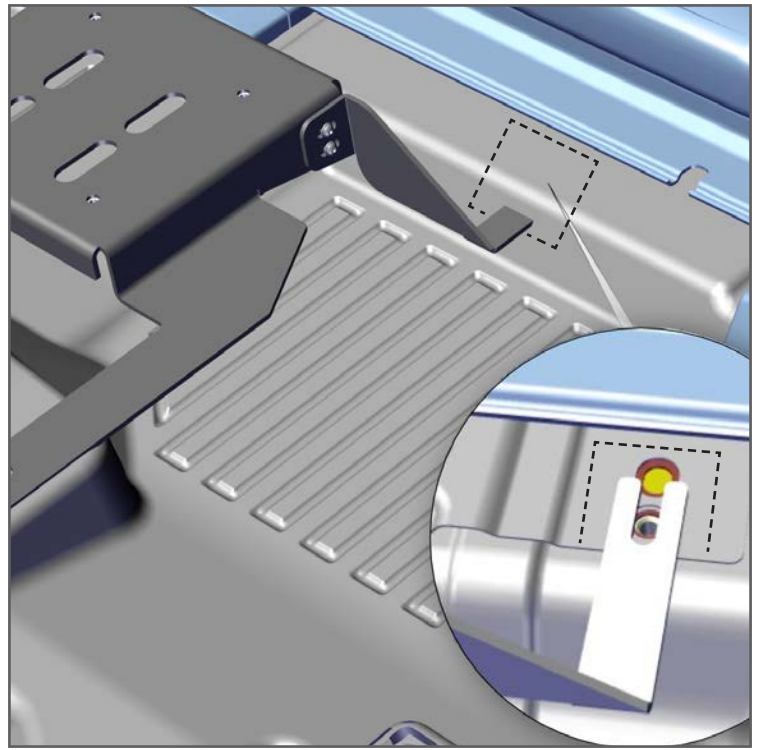
2. Move front seats completely forward and loosen the rear inside T-50 bolts.



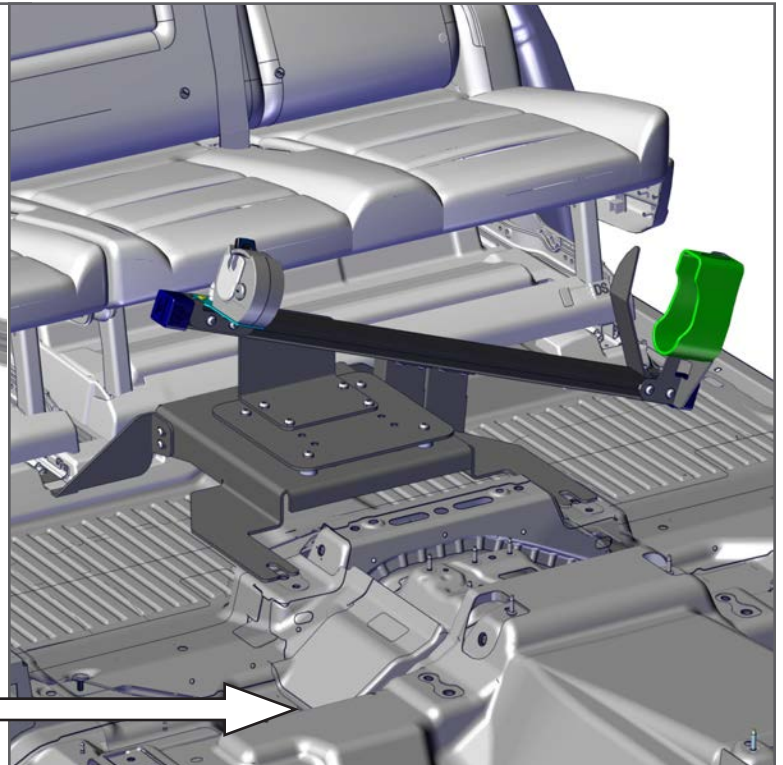
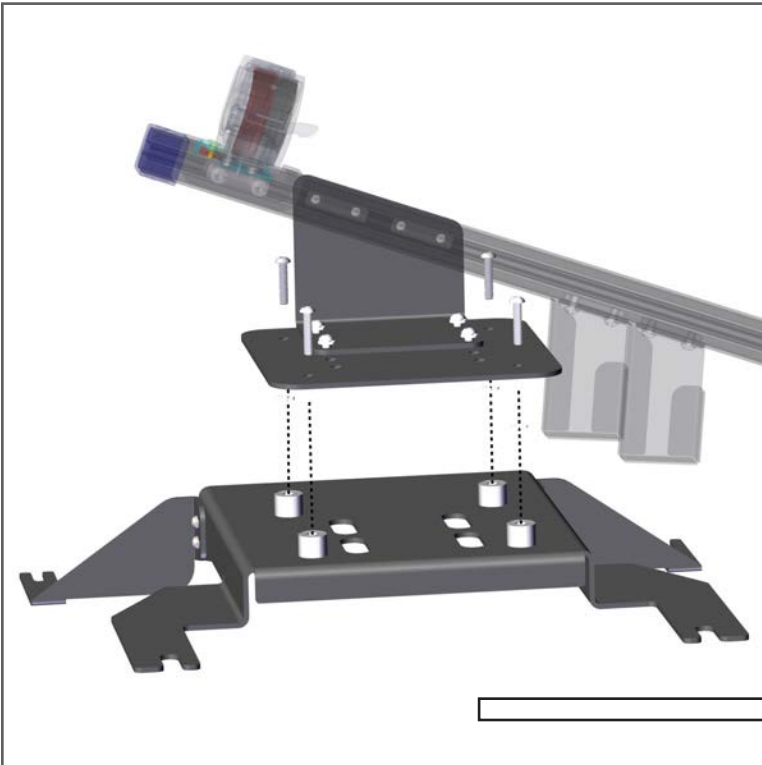
3. Push the seat up slightly to slide the front legs of the GR6 Base under seat rial, between rail and vinyl/carpet flooring.



4. Loosen the rear seat inside T-50 bolt and insert the P/S Rear GR6 Leg between the rail and flooring. Secure the Leg to the GR6 Base with provided button head cap screws.



5. Hold the D/S Rear GR6 leg to the side of the GR6 Base. Measure and mark out where to cut out a 3"x3" section of the carpet/vinyl, giving access to the OEM threaded hole. Secure GR6 Leg with provided M10-1.5x50 bolt and to the GR6 Base with button head cap screws.



6. Secure the Offset Base Plate to the GR6 Base with provided spacers and 5/16 x 1.5 button head cap screws. Insert the assembled backbone and secure the Angled Bracket to the Offset Base Plate with provided hardware.

