



# SINGLE CELL LITE

2018-2020 FORD F-150 SSV/POLICE RESPONDER | 2019-2020 F-250

Installation Instructions

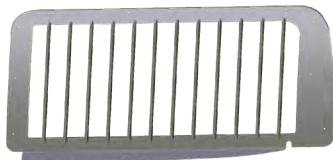
475-1291



Rear Window Armor



Inner Foot Mount Brackets



P/S Door Window Armor



Upper Poly Wing



Assembled Front Divider



Lower Steel Center Divider



Upper and Lower Mount Bracket



B Pillar Bracket



Headliner Handle Bracket

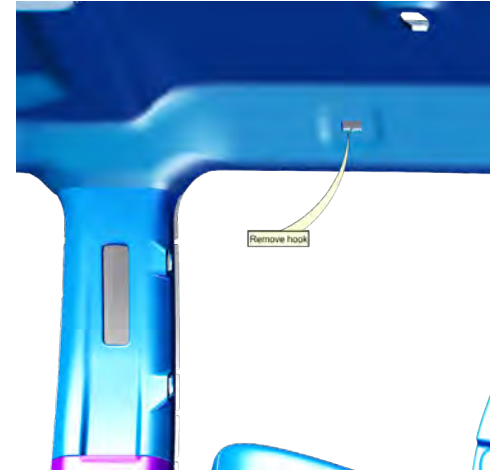
## ***\*Install Rear Window Armor First\****



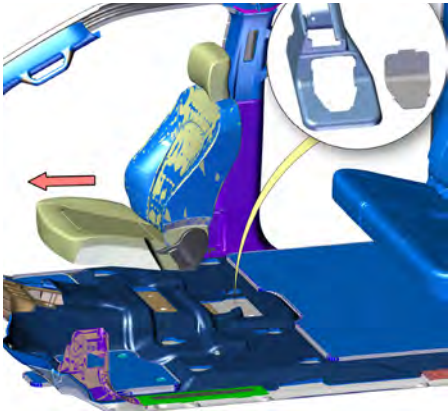
1. Slide P/S front seat completely forward. Remove rear OEM trim plate cover to expose the 13mm bolts. Unscrew bolts halfway.



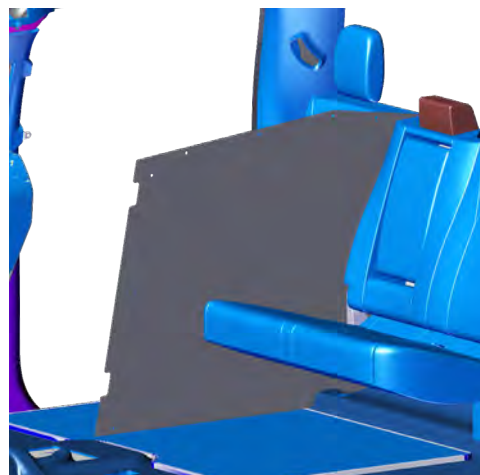
2. Remove plastic caps from the B-Pillar handle exposing the (2) 7mm screws.



3. Remove cover from P/S headliner hook exposing the (1) T-20 torx screw. Remove screw and set hook aside.



4. Loosely attach Spacer and B-Pillar Bracket into OEM lower handle location.



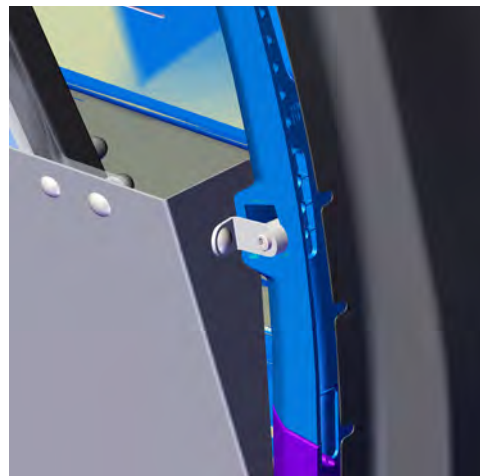
5. Slip the Lower Steel Center Divider between the split in rear seats.



6. Outside of vehicle, attach Inner Foot Mount Brackets to Assembled Front Divider using provided carriage bolts and flange nuts.



7. Install Assembled Front Divider into vehicle, slipping the mounting feet under the rear P/S seat track; this will require a little twisting to get into proper position.



8. Loosely attach B-Pillar Bracket onto Assembled Front Divider. Use provided carriage bolt and flange nut.



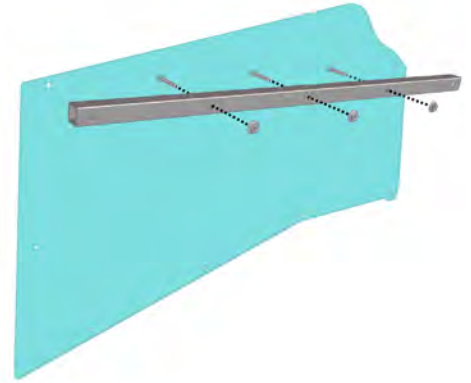
9. Loosely attach Headliner Handle Bracket onto Assembled Front Divider. Use provided carriage bolt and flange nut.



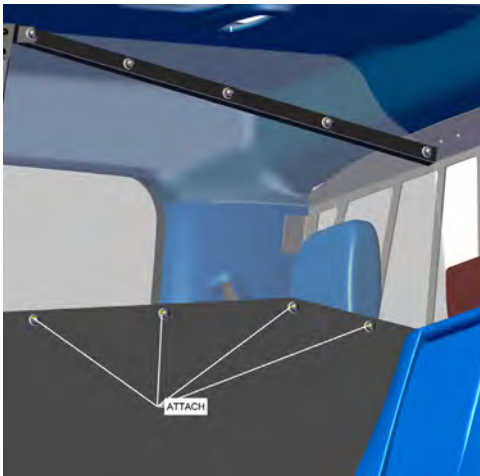
10. Loosely attach Headliner Handle Bracket into grab handle location. Reuse OEM bolts.



11. Loosely secure Lower Steel Center Divider onto Assembled Front Divider using provided carriage bolts and flange nuts.



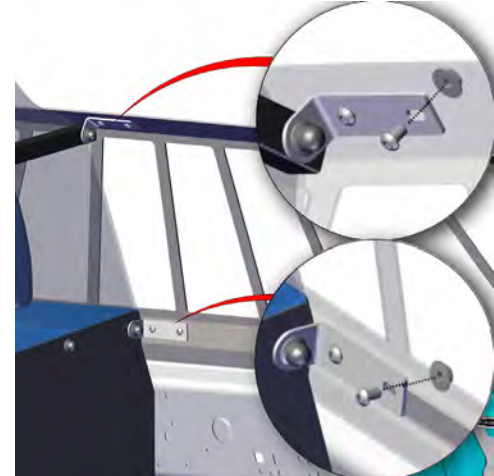
12. Outside of vehicle, attach Stiffener Tube to Upper Poly Center Divider through P/S of vehicle.



13. Attach Upper Poly Center Divider to Lower Steel Center Divider and Assembled Front Divider using provided carriage bolts and flange nuts. Tighten all bolts at this time.



14. Attach Upper Mount Bracket to Upper Poly Center Divider and Lower Mount Bracket to Lower Steel Center Divider with carriage bolts and flange nuts.



15. Outside of vehicle, attach the Stiffener Tube to the D/S Upper Poly Center Divider with provided carriage bolts and flange nuts.



16. Install Upper Poly Wing from front of vehicle using provided carriage bolts and flange nuts.

If you have questions or need further assistance please call Technical Support: 1.877.455.6886



209 W. EASY ST., ROGERS, AR 72756 • JOTTOPUBLICSAFETY.COM • 10/24

Jotto Desk™ is a patented product and Registered Trademark of Assembled Products™ Corporation.  
Specifications subject to change without notice.

050-0096-00

