



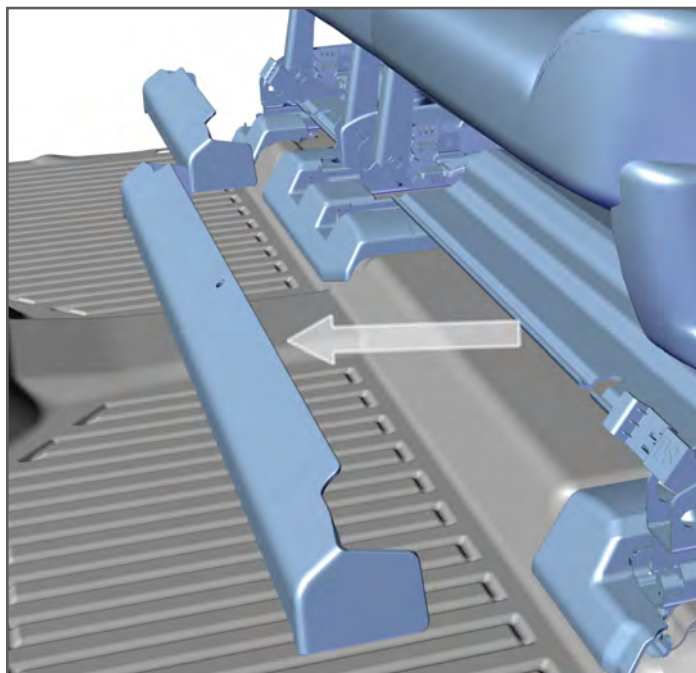
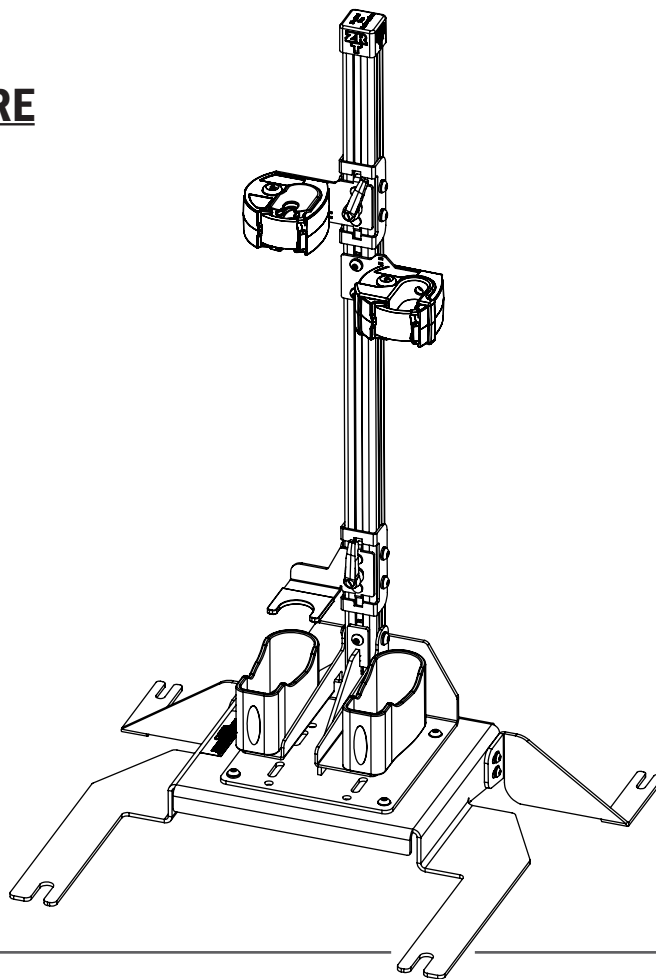
GR6, ZRT, AR-BLM/870, TAHOE 2021+

2021+ CHEVROLET TAHOE

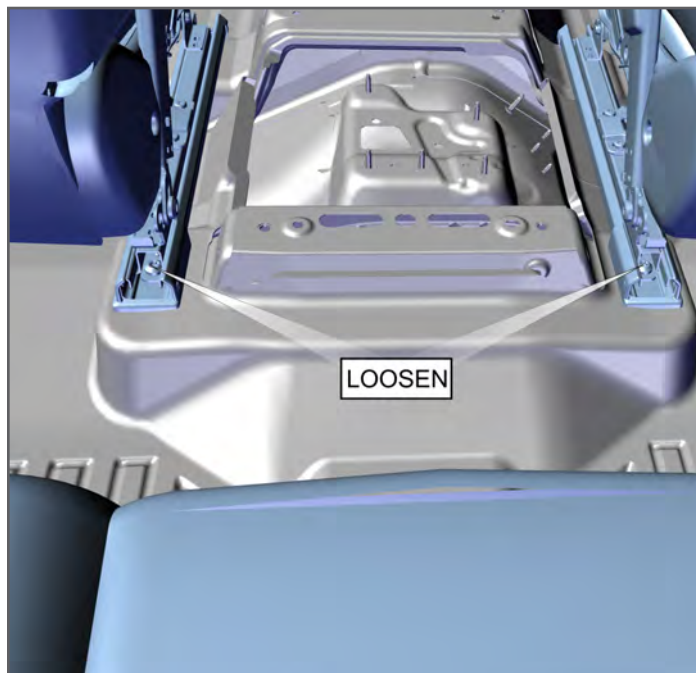
Installation Instructions

475-1702

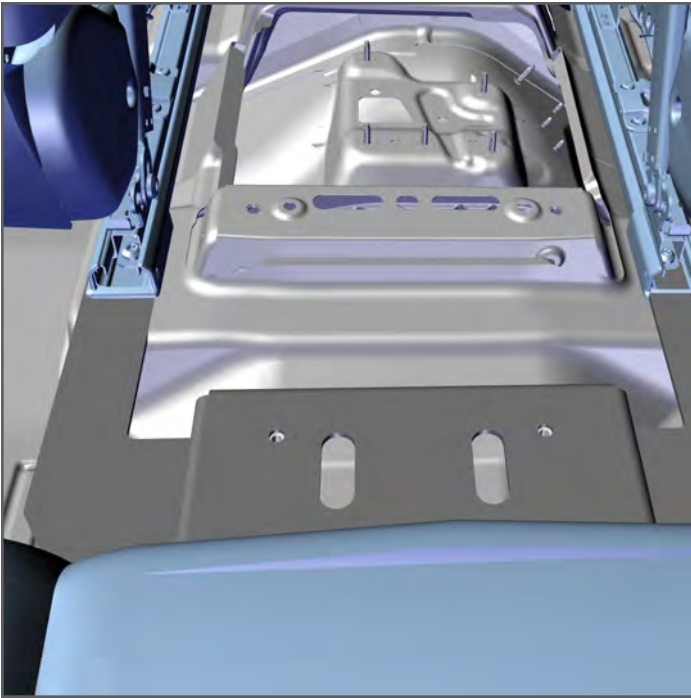
Note: Install GR6 Gun Rack BEFORE CB4 Cargo Barrier.



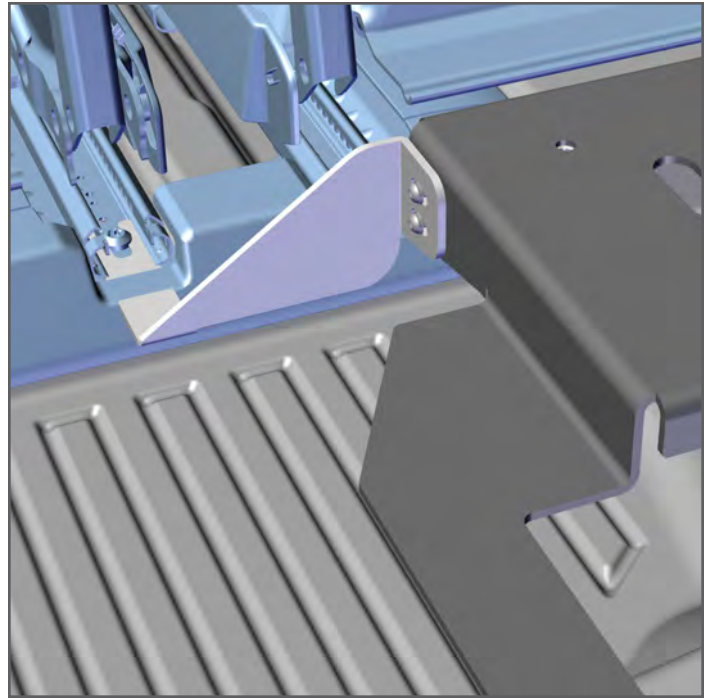
1. Adjust/slide rear seats fully back. Pull to unclip plastic trim from rear seat frame.



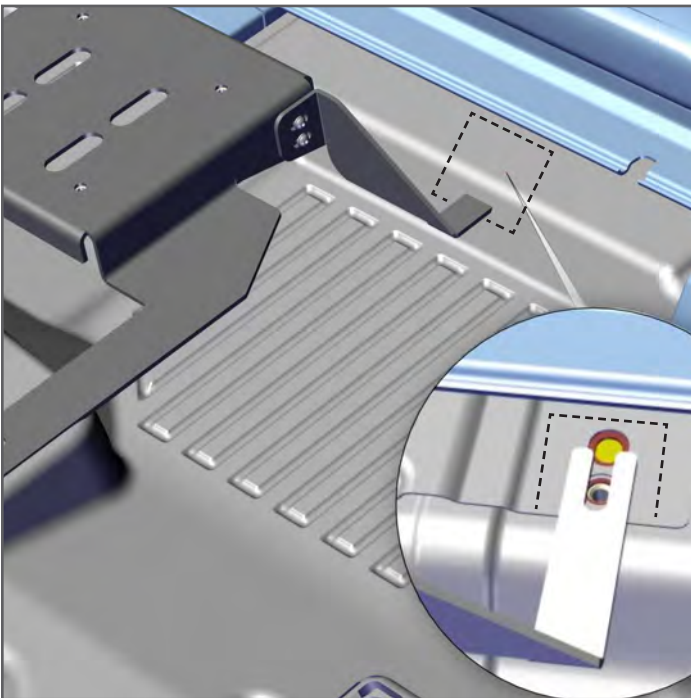
2. Move front seats completely forward and loosen the rear inside T-50 bolts.



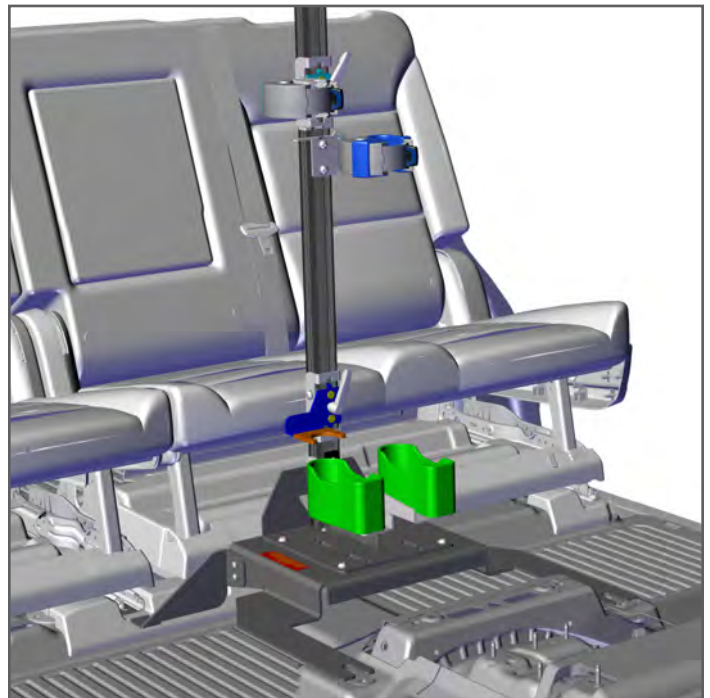
3. Push the seat up slightly to slide the front legs of the GR6 Base under seat rail, between rail and vinyl/carpet flooring.



4. Loosen the rear seat inside T-50 bolt and insert the P/S Rear GR6 Leg between the rail and flooring. Secure the Leg to the GR6 Base with provided button head cap screws.



5. Hold the D/S Rear GR6 leg to the side of the GR6 Base. Measure and mark out where to cut out a 3"x3" section of the carpet/vinyl, giving access to the OEM threaded hole. Secure GR6 Leg with provided M10-1.5x50 bolt and to the GR6 Base with button head cap screws.



6. Position assembled backbone onto GR6 Base, secure using button head cap screws. Secure all hardware and previously removed plastic trim.

If you have questions or need further assistance please call Technical Support: 1.877.455.6886



209 W. EASY ST., ROGERS, AR 72756 • JOTTOPUBLICSAFETY.COM • 10/24

Jotto Desk™ is a patented product and Registered Trademark of Assembled Products™ Corporation.
Specifications subject to change without notice.

050-0113-00

