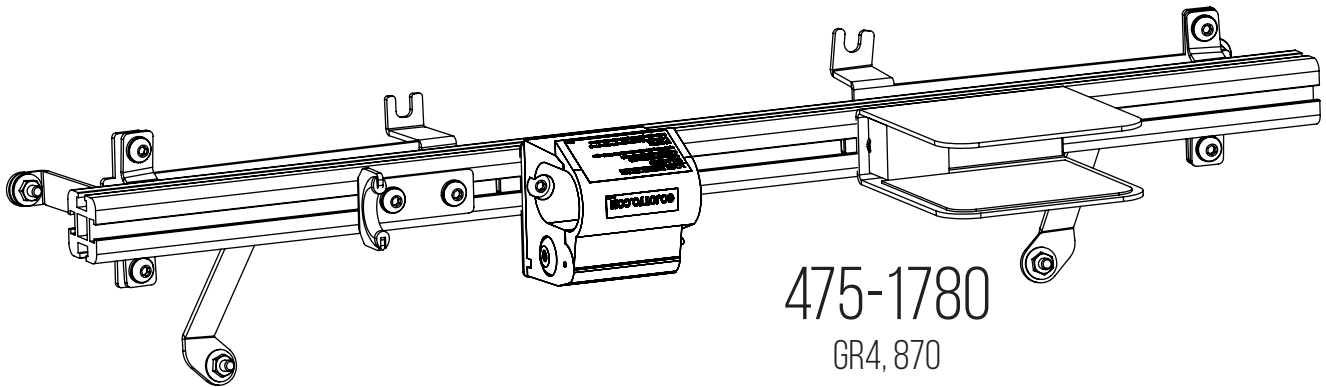
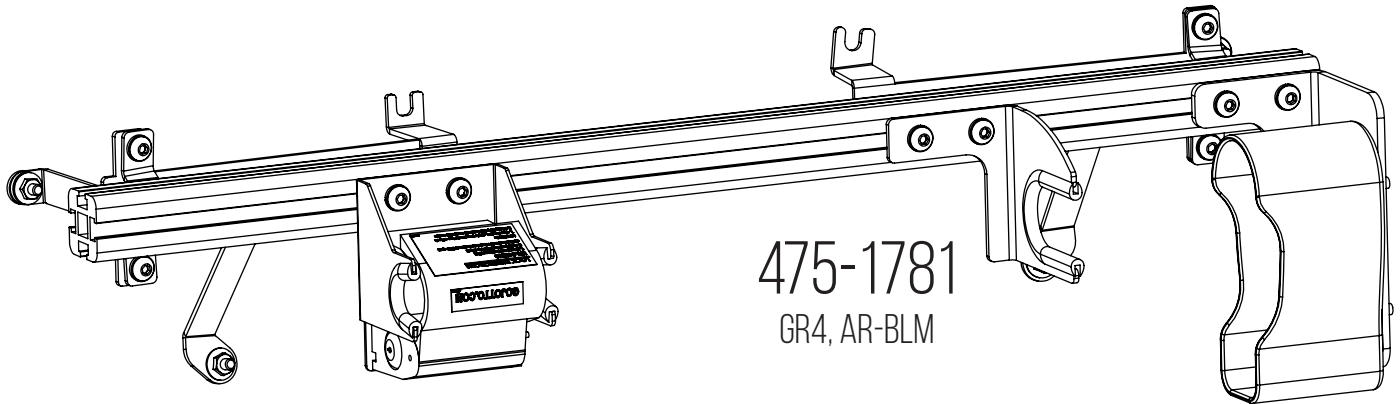


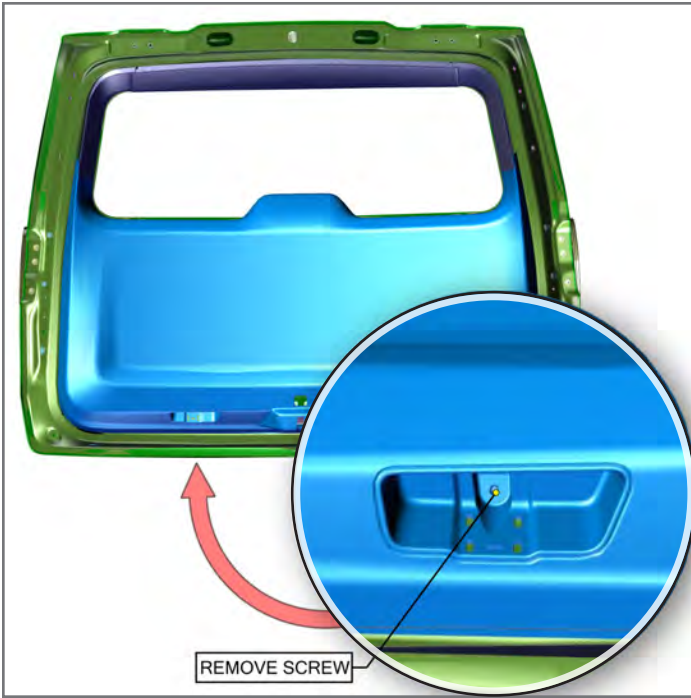


# GR4 - HATCH MOUNT GUN RACK

2020+ CHEVROLET TAHOE

## Installation Instructions

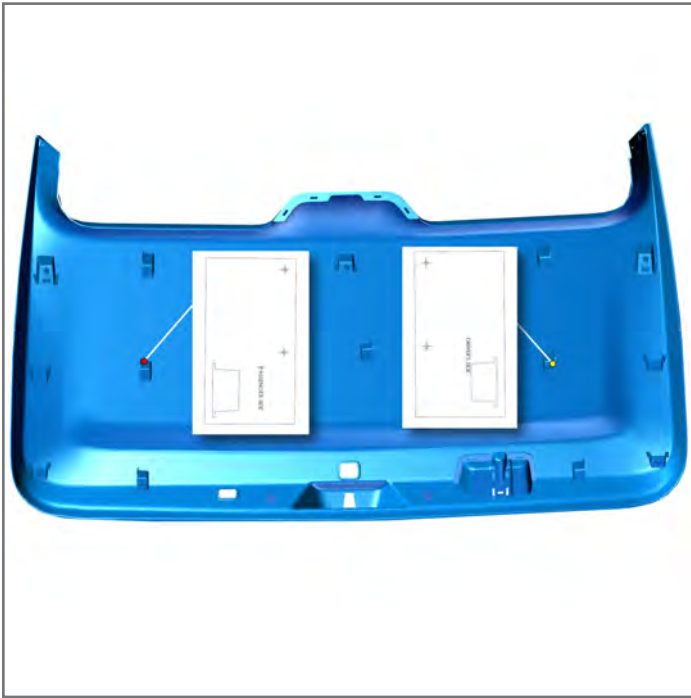




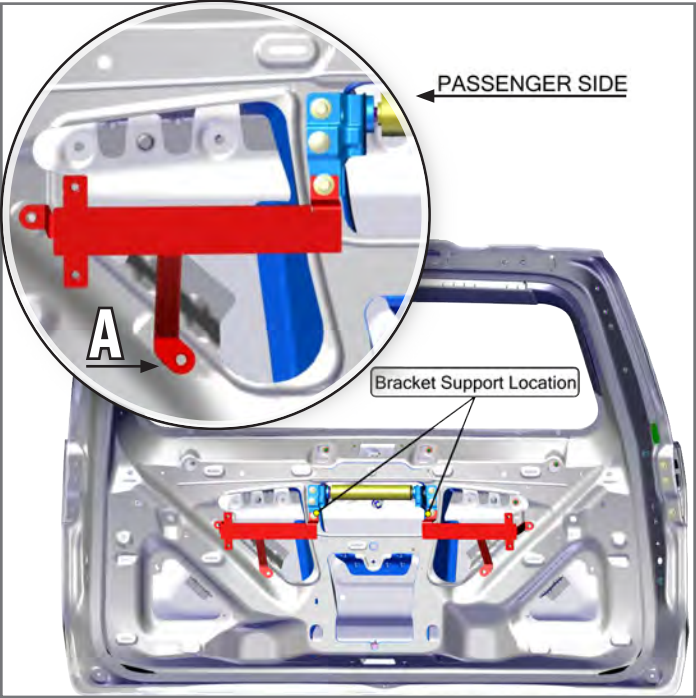
1. In the handle area, remove the trim cover exposing the 7 mm screw.



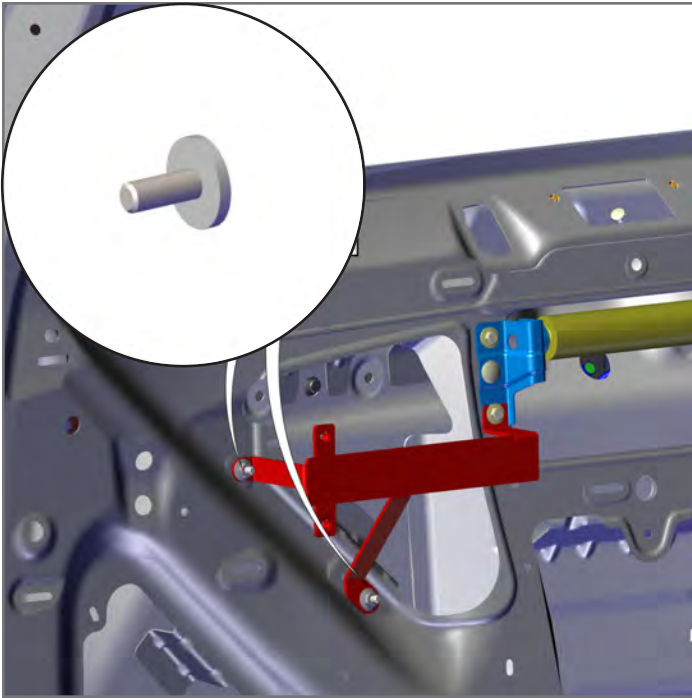
2. Once screw is removed, carefully remove the lower OEM hatch trim by prying at the edges unclipping from its (15) locations.



3. Cut out provided templates and set over standoffs of the DS/PS plastic trim. Mark and drill (2) 1/16 holes per side as indicated on template.



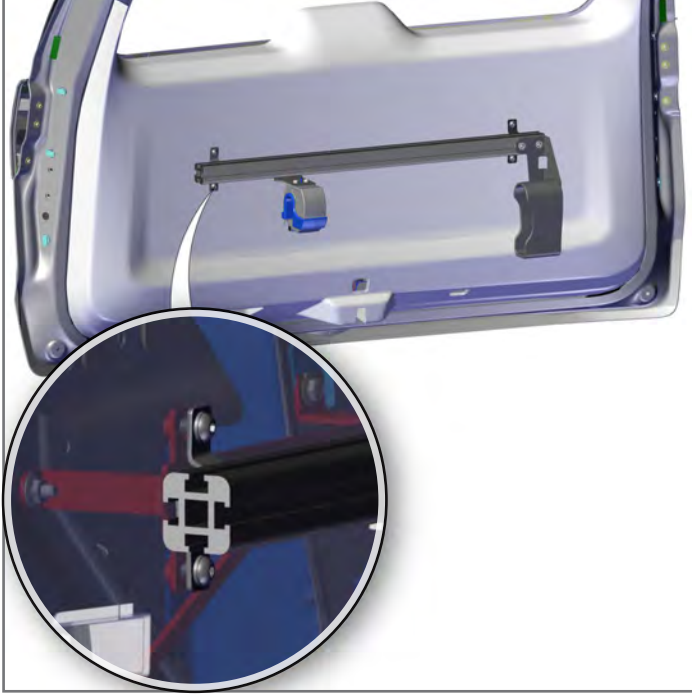
4. Loosely secure Inner Mount Brackets onto OEM lower bolt.  
**A. Mark and drill out lower bracket hole, 1/4". (see figure A)**



5. With the Inner Mount Brackets loosely in place. Insert the Inner Mounting Studs through the inside cavity of the hatch securing the brackets in place with provided flange nuts.



6. Reattach OEM trim to hatch and replace previously removed 7 mm screw.



7. Position Assembled GR4 over hole locations (May need to adjust Outer Mount Brackets for proper fit). Secure using provided button head cap screws.

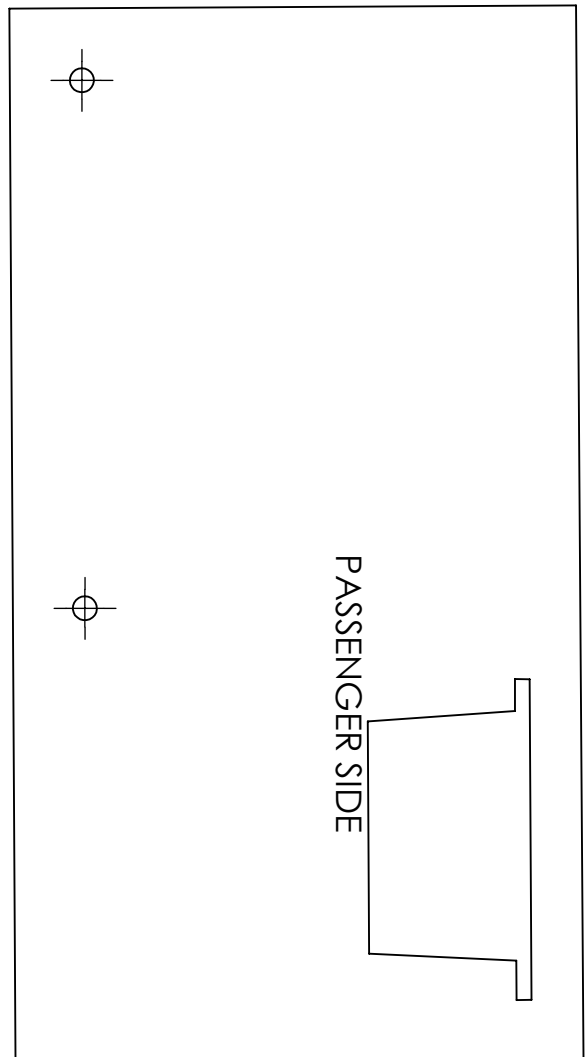
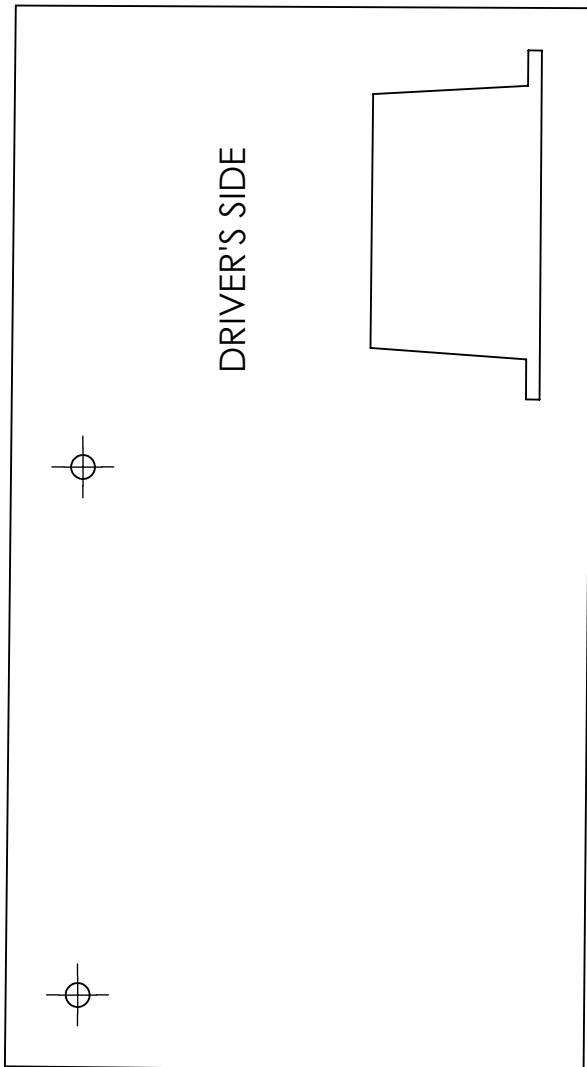


8. Remove OEM strut by using a flat head screwdriver. Slide the screwdriver under the clip and pry away from strut. Then proceed to pull strut away from OEM frame.



9. Press replacement strut onto OEM stud and press until you hear the click/pop noise.

## DRILL TEMPLATES



If you have questions or need further assistance please call Technical Support: 1.877.455.6886



209 W. EASY ST., ROGERS, AR 72756 • [JOTTOPUBLICSAFETY.COM](http://JOTTOPUBLICSAFETY.COM) • 10/24

Jotto Desk™ is a patented product and Registered Trademark of Assembled Products™ Corporation.  
Specifications subject to change without notice.

050-0130-00

