

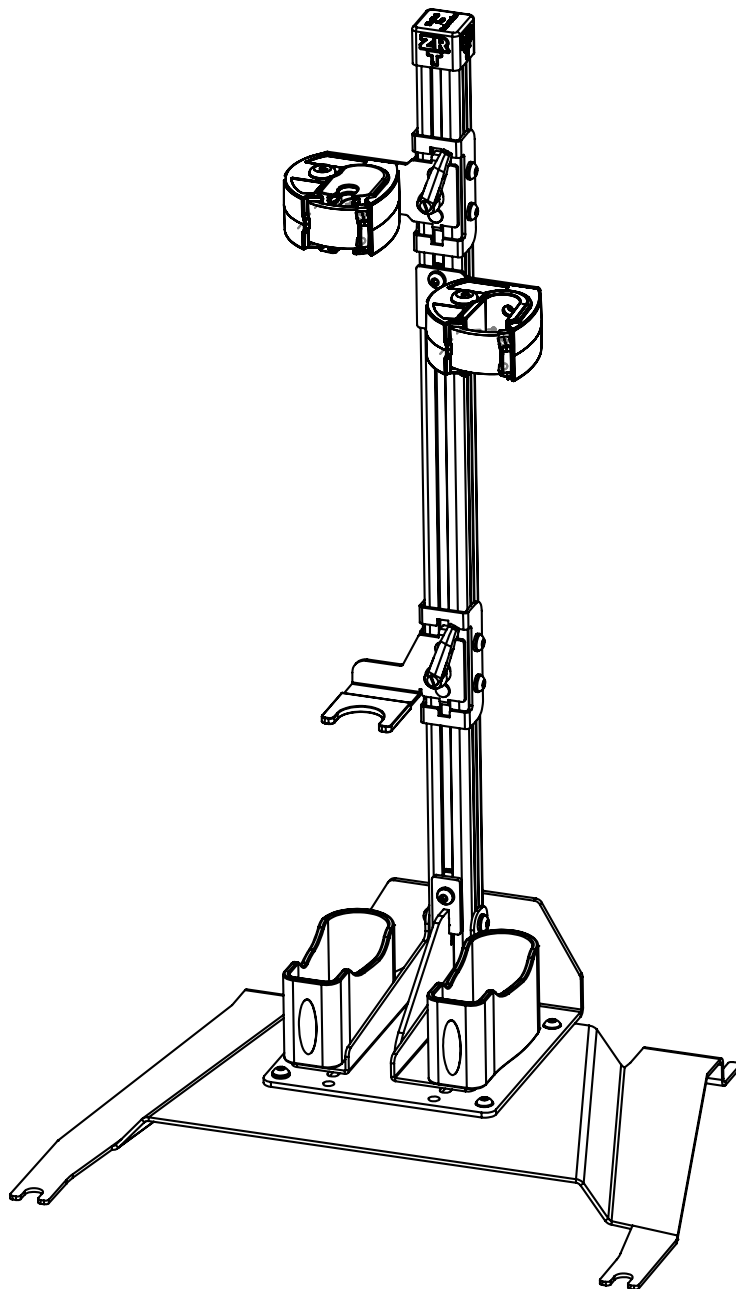


# GR6-ZRT-AR-BLM-870

2015-2020 CHEVROLET TAHOE

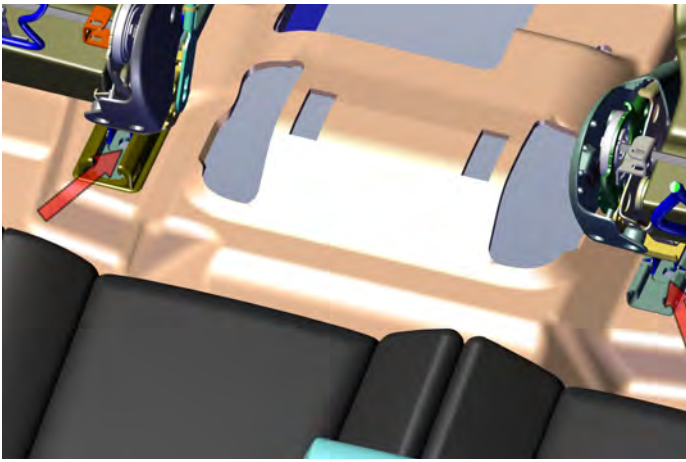
Installation Instructions

475-2023

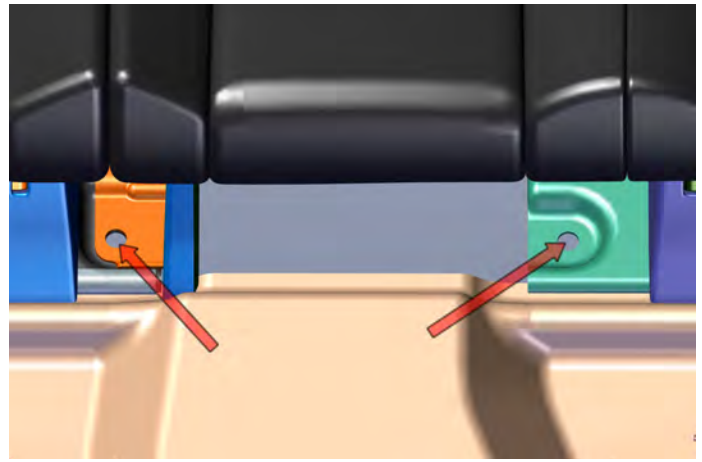


**PARTS INCLUDED:**

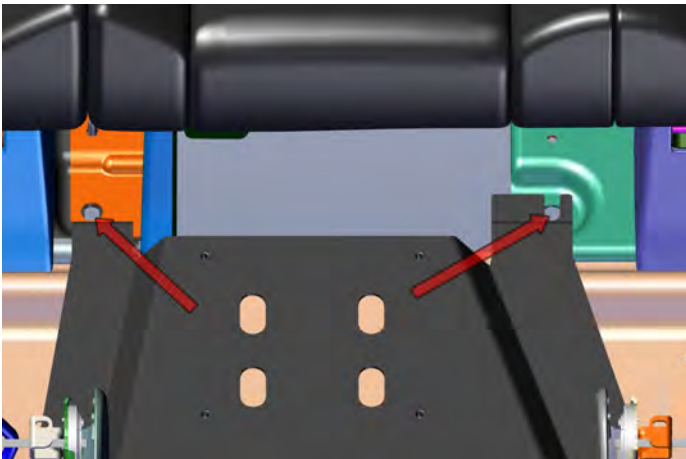
- Hardware Bag with necessary nuts, bolts, etc.



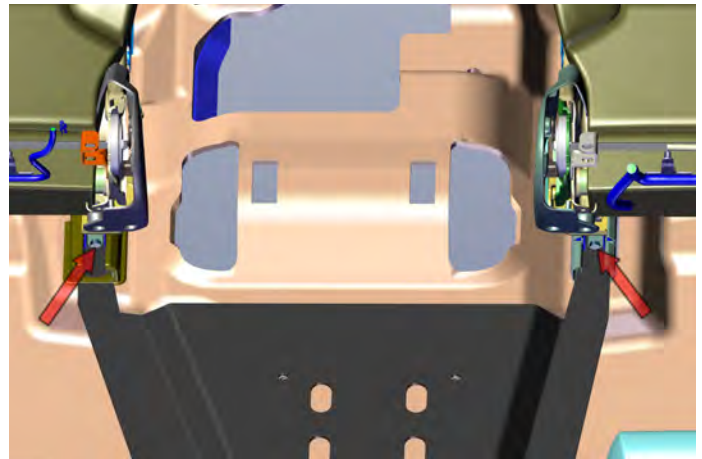
1. Loosen (2) T45 seat bolts on rear of front seats nearest transmission hump.



2. Roll the carpet/mat back towards hatch to expose nuts. Remove 18mm seat nuts under center of rear seat.



3. Slide GR6 mounting plate underneath seat rails of front seats. With carpet/mat still rolled back under rear seat place GR6 plate onto studs.



4. Replace and tighten 18mm nuts under rear seat. Roll back carpet/mat back into original place. Tighten T45 seat bolts on rear of front seats.



5. Position assembled backbone onto GR6 mounting plate.

6. Secure to plate using provided (4) button head cap screws.

If you have questions or need further assistance please call Technical Support: 1.877.455.6886



209 W. EASY ST., ROGERS, AR 72756 • JOTTOPUBLICSAFETY.COM • 10/24

Jotto Desk™ is a patented product and Registered Trademark of Assembled Products™ Corporation.  
Specifications subject to change without notice.

050-0112-00

