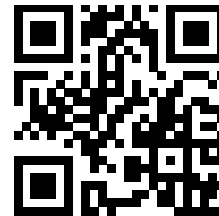
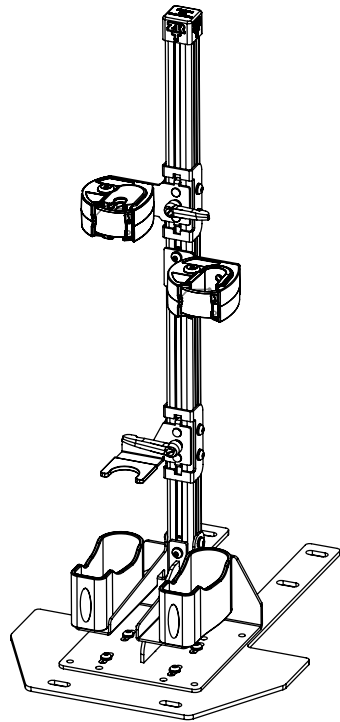




**INSTALLATION INSTRUCTIONS**  
**GR4-ZRT-AR-BLM-870**  
**SUV/PICKUP 475-2024**

**Parts Included:**

- Hardware Bag With Necessary Nuts, Bolts, Etc.



See next page for AVK install instructions, or watch the video here.

1. Position weapon mount in desired location. We intend for this mount to be secured on the floor of the SUV/Pickup. Use the mounting plate as a template to mark holes. Then follow AVK installation sheet.
2. Position weapon mount and secure with the socket cap screws and tighten bolts securely.
3. Install weapon and check for secure fit.
4. Press on lock head cover to ensure it is locked.



## INSTALLATION INSTRUCTIONS AVK FASTENER

1. Drill out existing hole to 1/2" or drill new hole per installation instructions. (Pic A)
2. Place 5/16-18 x 1.5" long bolt through the 3/8" flange nut and hand thread bolt into the AVK fastener. (Pic B)
3. Place into 1/2" drilled hole (Pic C) and use 9/16" Box End Wrench to secure the flange nut. (Pic D) Apply pressure on the flange nut, pressing AVK fastener into hole. Using an air wrench, tighten the 5/16-18 x 1.5" bolt. (Pic E) This will allow the AVK fastener to secure onto the backside of the metal. Remove 5/16-18 x 1.5" bolt. (Pic F)
4. Follow installation instructions from this point forward.

Installation video can be viewed at :

<http://jottopublicsafety.gojotto.com/additional-categories/downloads.html>



A



B



C



D



E



F



209 W. EASY ST., ROGERS AR 72756 • [www.EVERYTHINGBUTLIGHTS.com](http://www.EVERYTHINGBUTLIGHTS.com) • 7/17

Jotto Desk® is a patented product and Registered Trademark of Assembled Products™ Corporation.  
ZRT Gun Racks have design patents. Specifications subject to change without notice.