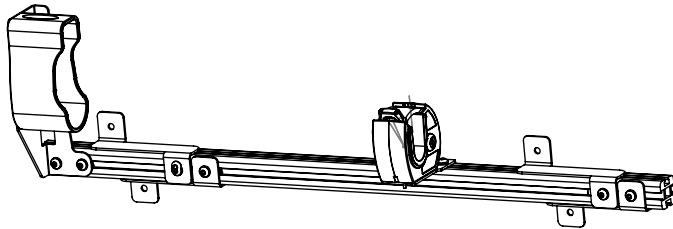




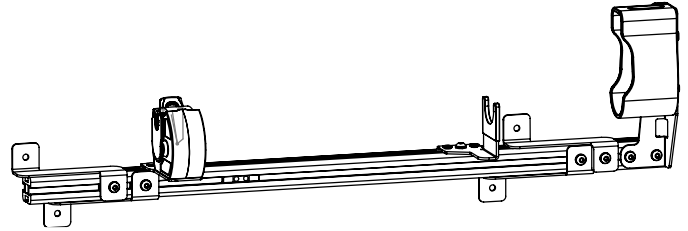
## INSTALLATION INSTRUCTIONS GR4-ZRT-AR-BLM-UTM

### Parts Included:

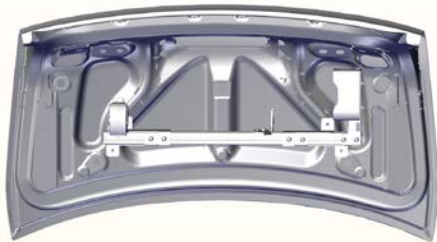
- Hardware Bag With Necessary Nuts, Bolts, Etc.



**475-2027  
GR4-870-UTM**  
(UNIVERSAL TRUNK MOUNT)



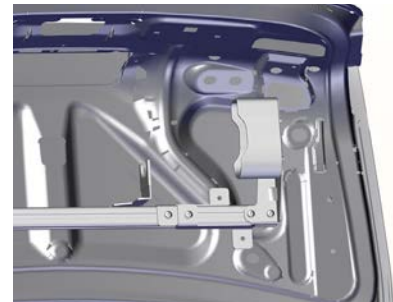
**475-2028  
GR4-AR-BLM-UTM**  
(UNIVERSAL TRUNK MOUNT)



Secure weapon in gun rack, then position weapon mount in desired location. Slide adjustable brackets to meet up with the raised contours of the trunk lid.



Mark holes, center punch, and drill to 1/4" diameter. Drill holes in the center of each mounting location. Be careful not to touch trunk lid sheet metal with drill bit, it will dimple easily.



Hold gun rack in position, insert rivet through flat washer and into the holes drilled in trunk lid. Secure with rivet in all 4 locations.

Install weapon and check for secure well adjusted fit.

