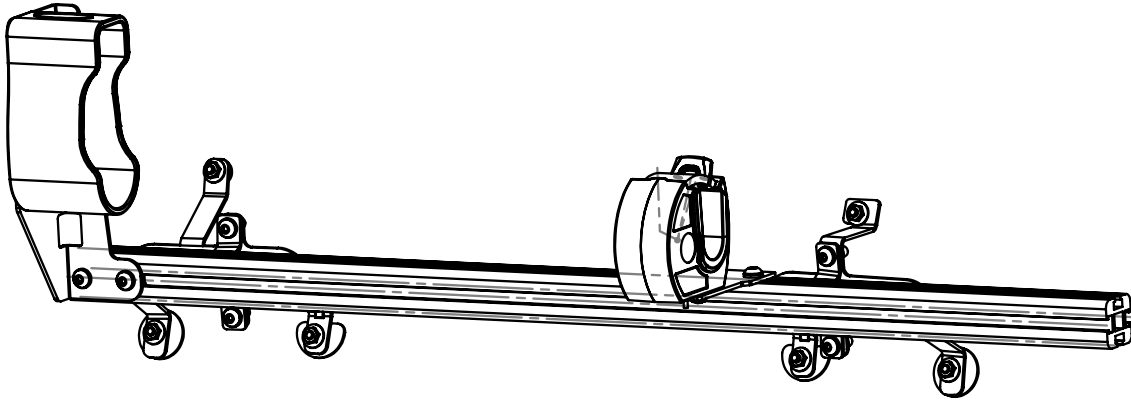


# GR4-ZRT

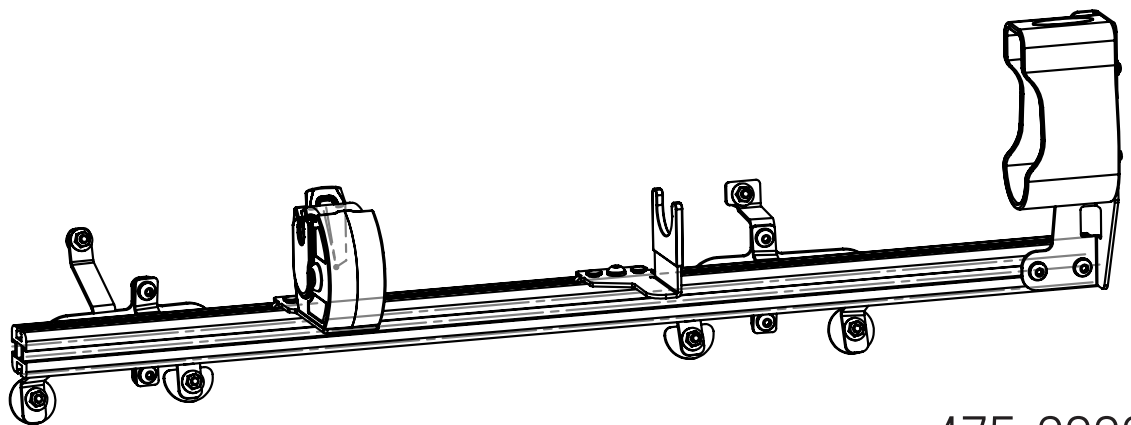
CHEVY TAHOE '15-'20

## Installation Instructions

---



475-2034



475-2033

### TOOLS NEEDED:

---

- Ratchet
- TP27 Socket
- 7mm Socket
- 7/16" Socket
- 3/16" Hex Head
- 7/16" Wrench
- Utility Knife
- Drill
- 3/8" Drill

### PARTS INCLUDED:

---

- Hardware Bag with necessary nuts, bolts, etc.

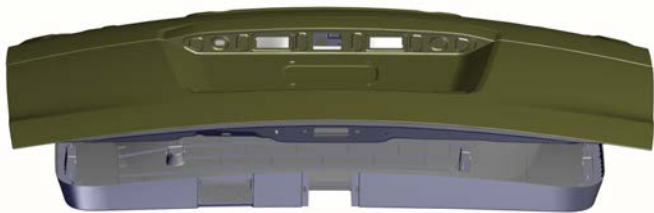




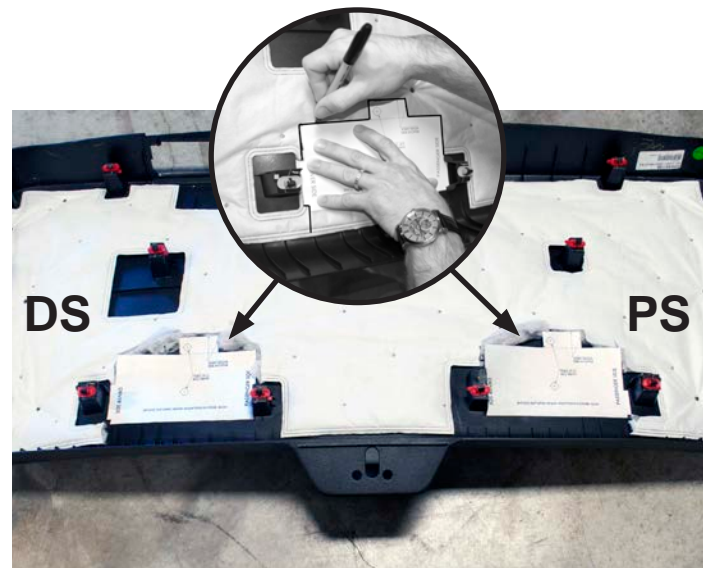
1. Carefully remove OEM Rear hatch trim. The upper hatch trim will need to be removed first with (1) fastener on each inside window edge. Pry in towards window, remaining top clips will pull away from frame of window.



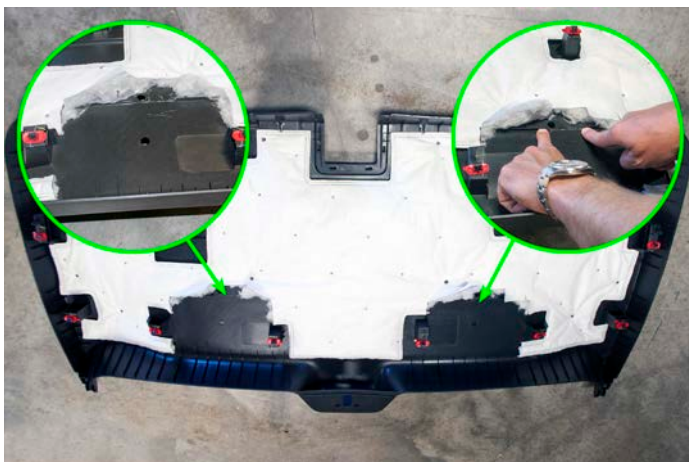
2. Remove TP27 screw inside handle area. Remove 7mm screw in strap location.



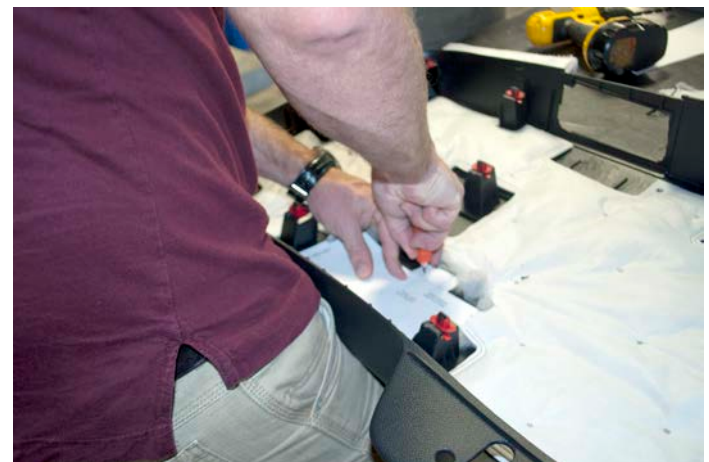
3. Pry OEM lower hatch trim away from frame. Then pop the glass rear hatch window allowing trim to push up and over latch.



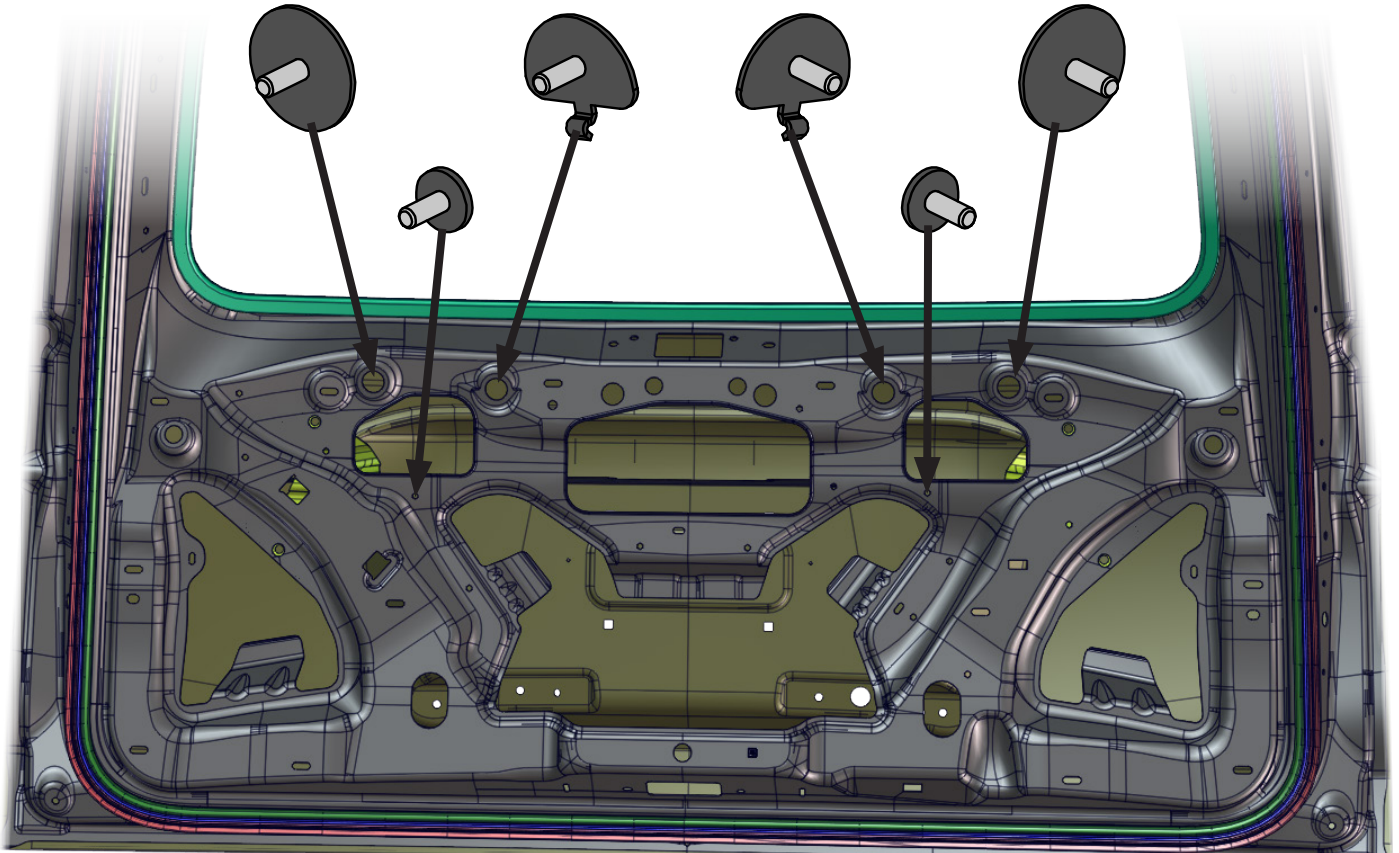
4. Use provided template. Lay onto back of lower OEM trim. With a sharpie, mark/trace the outside of the template and remove insulation.



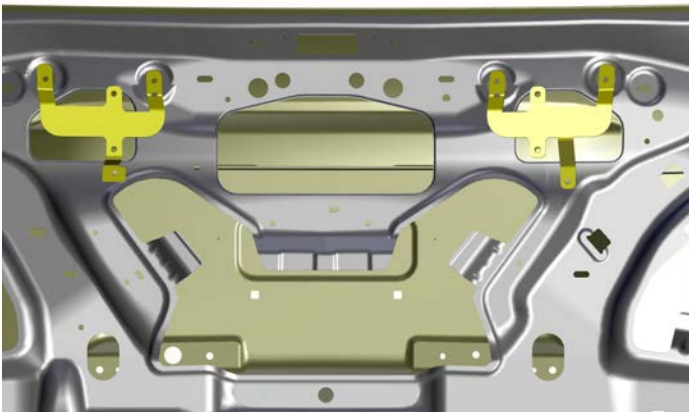
5. Trim the OEM ribbing to create a smooth and flat surface.



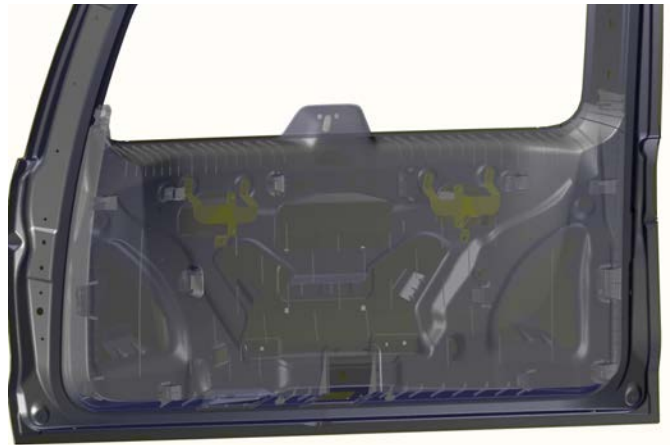
6. Once insulation and ribbing is cut away, reposition template back onto panel. Mark and drill (2) holes per side as indicated on template.



7. Take each Inner Mounting Stud set and place inside of hatch frame as shown above.



8. Attach Inner Mounting Bracket onto Inner Mounting Studs and secure using provided lock nuts. Repeat for other side.



9. Reattach OEM trim onto door frame.



10. Position Assembled GR4 over hole locations (May need to adjust Outer Mount Brackets for proper fit). Secure using provided button head cap screws.



11. Remove OEM strut by using a flat head screwdriver. Slide the screwdriver under the clip and pry away from strut. Then proceed to pull strut away from OEM frame.



12. Press replacement strut onto OEM stud and press until you hear the click/pop noise.

If you have questions or need further assistance please call Technical Support: 1.877.455.6886



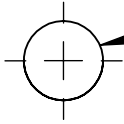
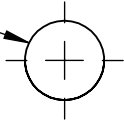
**209 W. EASY ST., ROGERS, AR 72756 • [www.JottoPublicSafety.com](http://www.JottoPublicSafety.com) • 9/20**

Jotto Desk® is a patented product and Registered Trademark of Assembled Products™ Corporation.  
Specifications subject to change without notice.

PASSENGER SIDE

NOTE: REMOVE INSULATION WITHIN TEMPLATE OUTLINE

MARK FOR  
7/16" DRILL



REMOVE RIBS  
WITHIN AREA

REMOVE RIBS  
WITHIN AREA

DRIVER SIDE

