



GR9-ZRT-AR SECURE-BLM-870 GR9-ZRT-AR SECURE-BLM

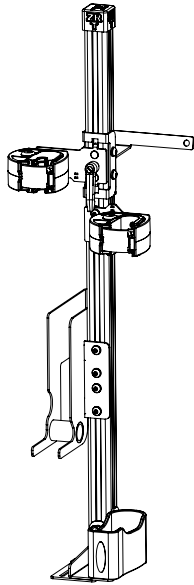
VEHICLE PARTITION MOUNTED ZRT AR SECURE GUN RACKS

Installation Instructions

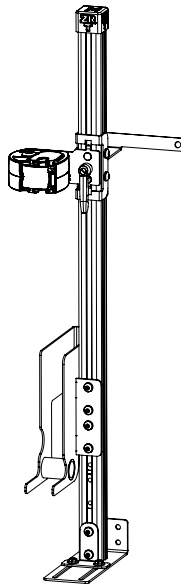
475-2052
475-2053

Parts Included:

- Hardware Bag with Upper Partition Mounting Brackets and Necessary Nuts, Bolts, Etc.



475-2052
GR9-ZRT-AR SECURE-BLM-870



475-2053
GR9-ZRT-AR SECURE-BLM

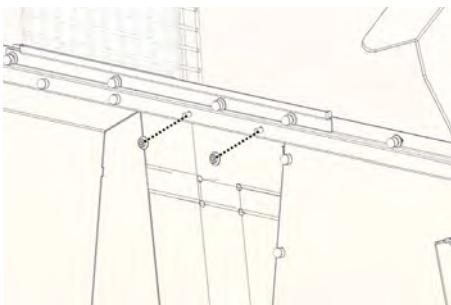
Step 1:



Space Creator
Upper Mount Bracket

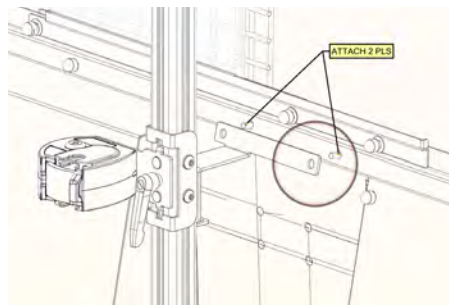
Attach Upper Mount Bracket to extrusion, sliding T-slot retainer into rear slot. Position as shown below and tighten when in correct location.

Step 2:



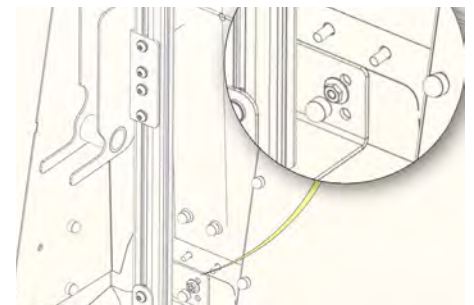
Remove two flange nuts while your helper is holding the carriage bolts in place from the back seat.

Step 3:



Place the gun mount assembly in the recessed area of the partition. Insert the top bracket onto the carriage bolts and secure with previously removed flange nuts.

Step 4:



Attach the lower bracket with the provided carriage bolts and flange nuts. Secure all four mounting points and finish assembly with provided black plastic nut covers.

If you have questions or need further assistance please call Technical Support: 1.877.455.6886



209 W. EASY ST., ROGERS, AR 72756 • JOTTOPUBLICSAFETY.COM • 1/25

Jotto Desk™ is a patented product and Registered Trademark of Assembled Products™ Corporation.
Specifications subject to change without notice.

050-0221-00

