

# GR6, ZRT, AR-BLM/870, DURANGO 2019+

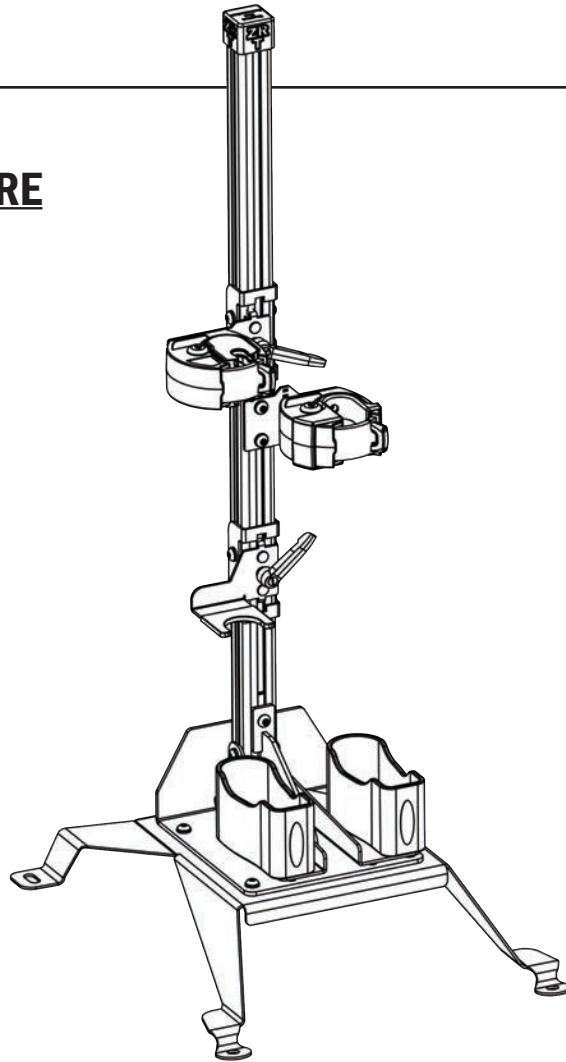
DODGE DURANGO 2019+

475-2056

## Installation Instructions

**Note: Install GR6 Gun Rack BEFORE CB4 Cargo Barrier.**

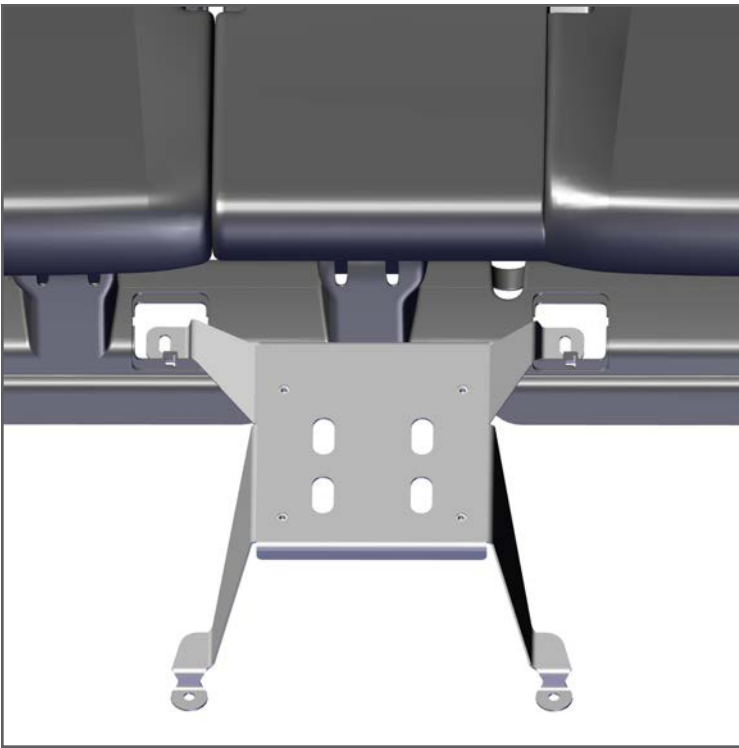
**Note: Will not work with OEM Center Console.**



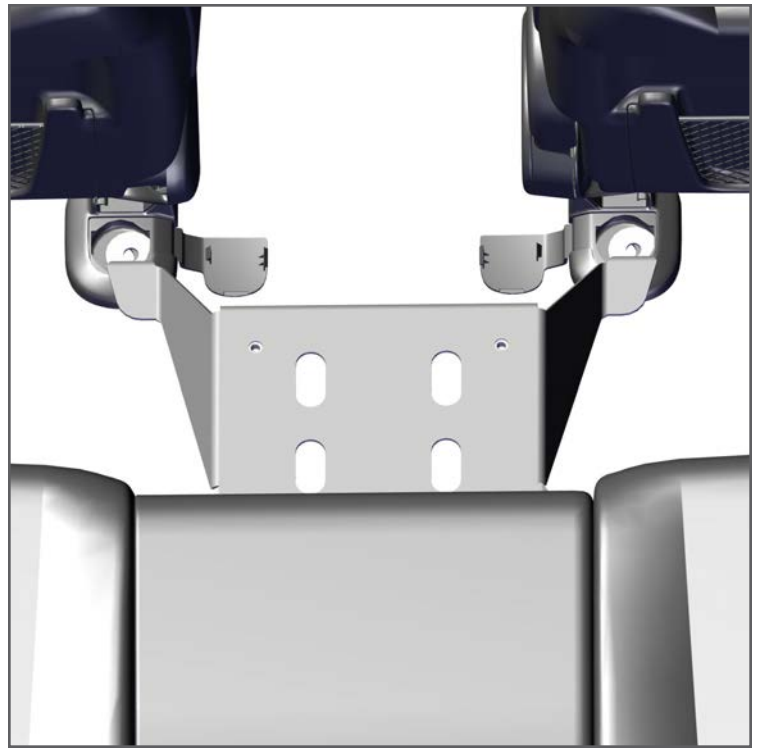
1. With a small screwdriver, unsnap the inside rear seat trim (of the front seats) exposing the OEM seat bolts. Remove with a 15 mm socket.



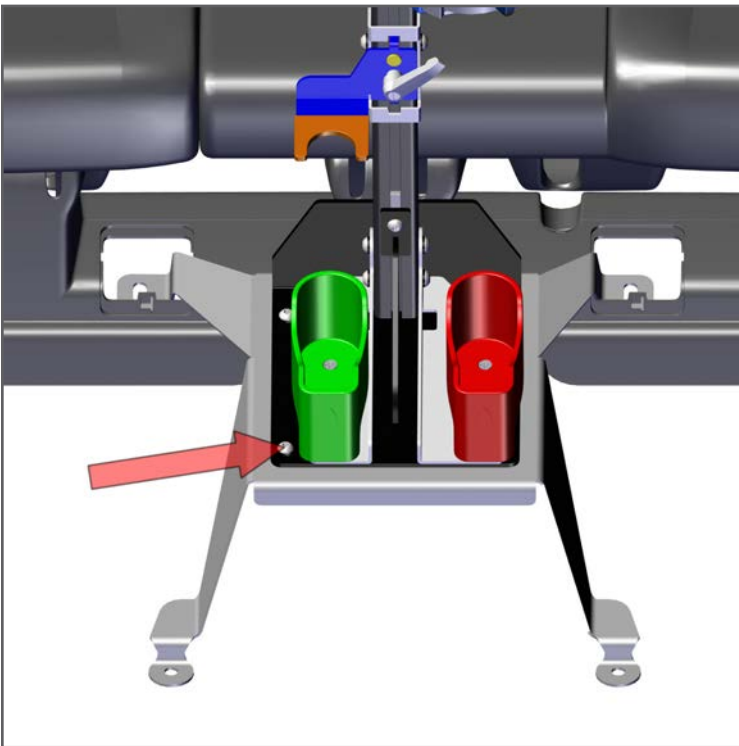
2. With a small screwdriver, unsnap and set aside the rear seat trim covers exposing the OEM seat bolts. Remove with a 18 mm socket.



3. Set the back legs of the GR6 mounting plate into the previously remove rear seat trim sections while nesting the front of the GR6 mounting plate legs into front seat inside rear bolt hole locations.



4. Replace and tighten OEM bolts to secure GR6 mounting plate.



5. Position assembled backbone onto GR6 mounting plate. Secure to plate using provided (4) button head cap screws.

If you have questions or need further assistance please call Technical Support: 1.877.455.6886



**209 W. EASY ST., ROGERS, AR 72756 • [www.JottoPublicSafety.com](http://www.JottoPublicSafety.com) • 7/21**

Jotto Desk® is a patented product and Registered Trademark of Assembled Products™ Corporation.  
Specifications subject to change without notice.