

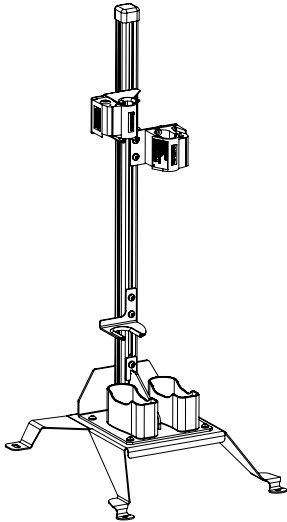


GR6-DURANGO PPV-19+-AR BLM/870

2019+ DODGE DURANGO - VERTICAL DUAL WEAPON, REAR SEAT MOUNTED GUN RACK

Installation Instructions

475-2058



Parts Included:

- Hardware Bag With Necessary Nuts, Bolts, Etc.

WILL NOT WORK WITH A OEM CENTER CONSOLE



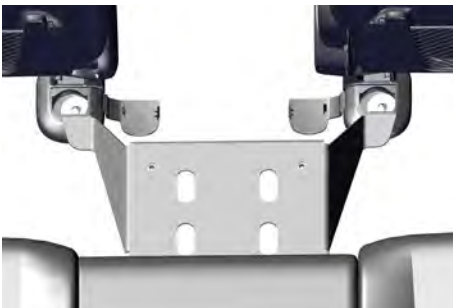
With a small screwdriver, unsnap the inside rear seat trim (of the front seats) exposing the OEM seat bolts. Remove with a 15 mm socket.



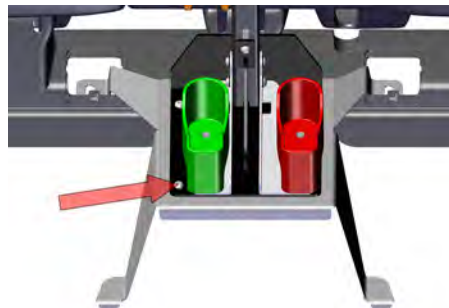
With a small screwdriver, unsnap and set aside the rear seat trim covers exposing the OEM seat bolts. Remove with a 18mm socket.



Set the back legs of the GR6 mounting plate into the previously remove rear seat trim sections while nesting the front of the GR6 mounting plate legs into front seat inside rear bolt hole locations.



Replace and tighten OEM bolts to secure GR6 mounting plate.



Position assembled backbone onto GR6 mounting plate. Secure to plate using provided (4) button head cap screws.



209 W. EASY ST., ROGERS, AR 72756 • JOTTOPUBLICSAFETY.COM • 3/25

Jotto Desk™ is a patented product and Registered Trademark of Assembled Products™ Corporation.
Specifications subject to change without notice.

050-0235-00

