

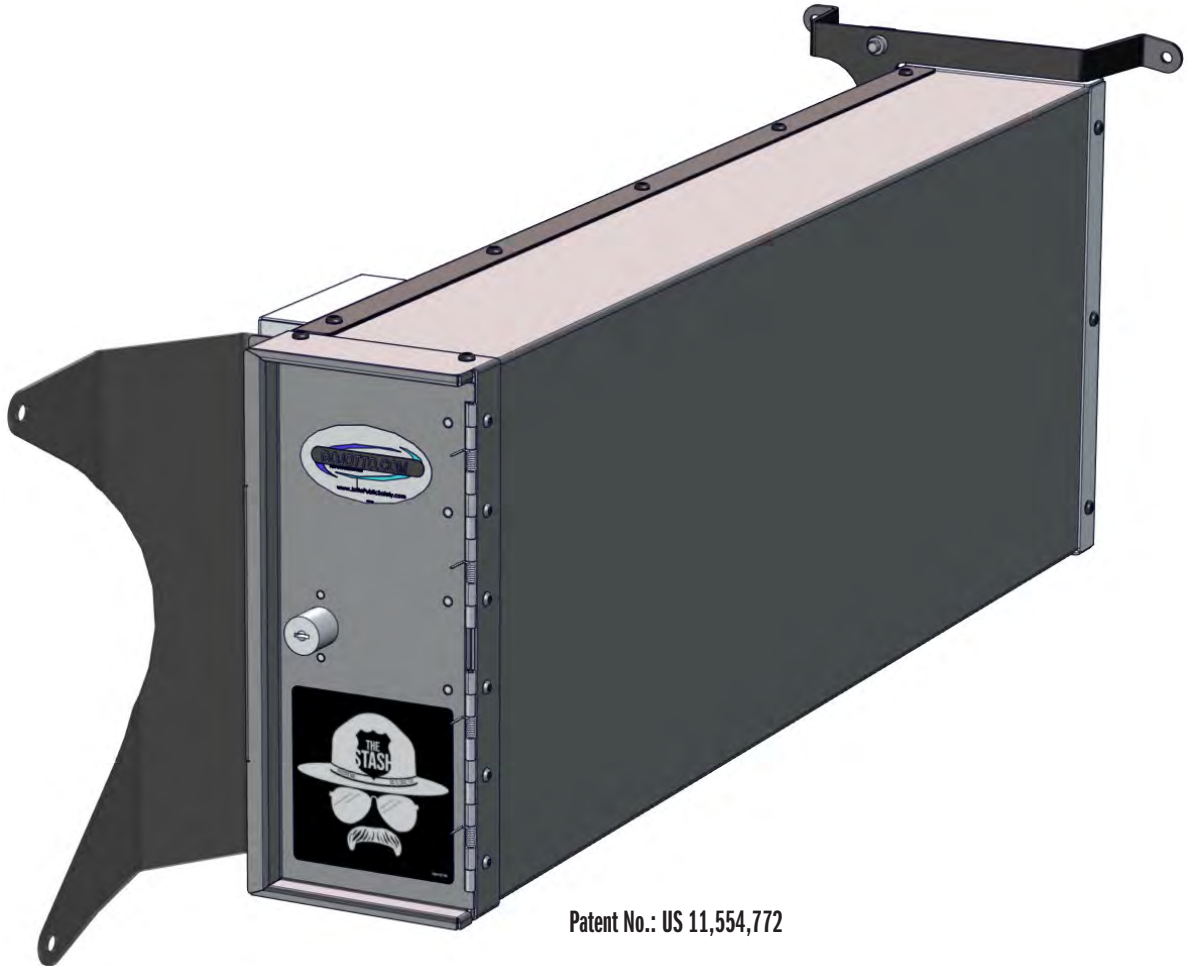


THE STASH, VERTICAL, SRS

2021+ DODGE DURANGO

Installation Instructions

475-2123

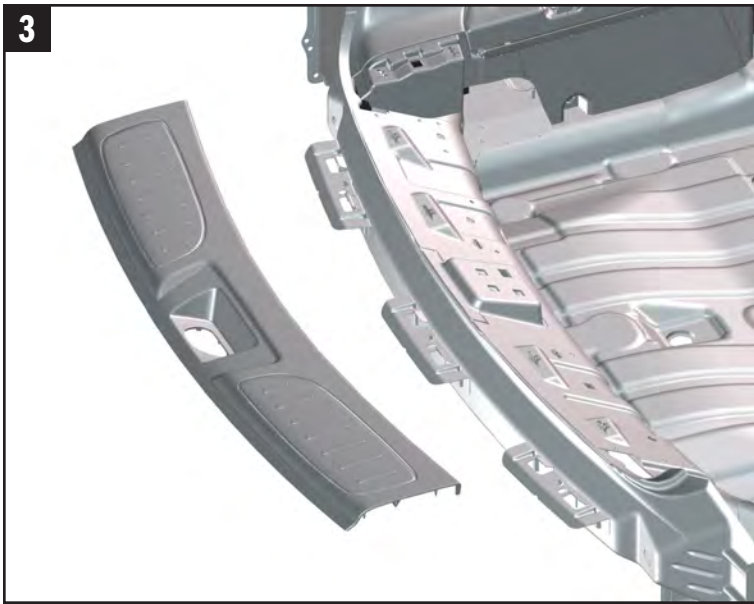


Patent No.: US 11,554,772

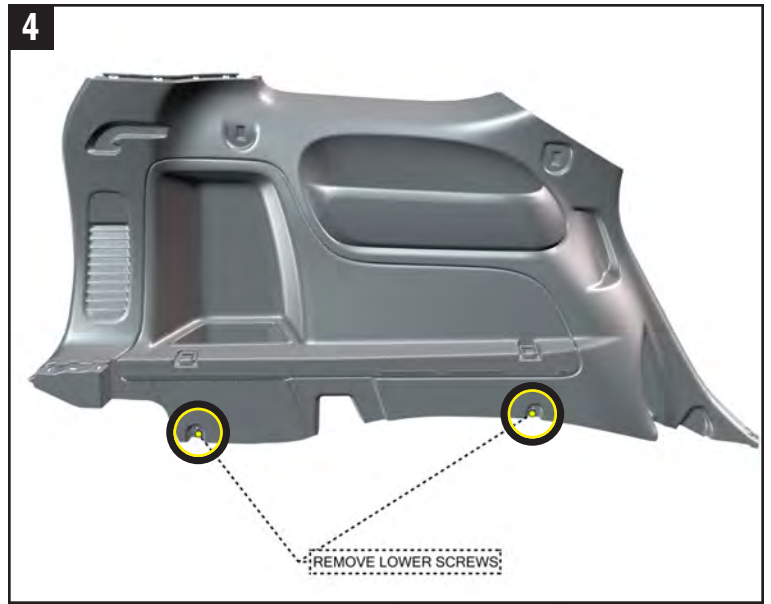


1 Remove lids from the storage compartment by opening them 90° and pulling at an angle to unclip from three positions (EACH SIDE). You will also have to remove the front trim portion from the storage box by pulling at an angle releasing (8) clips.

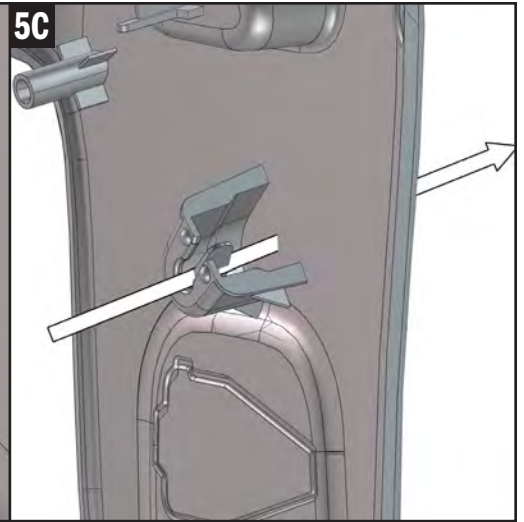
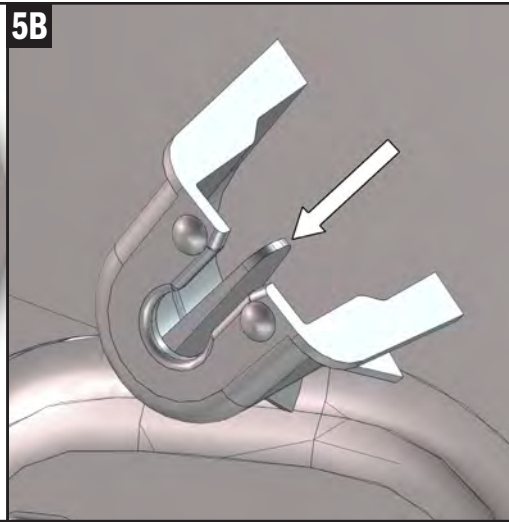
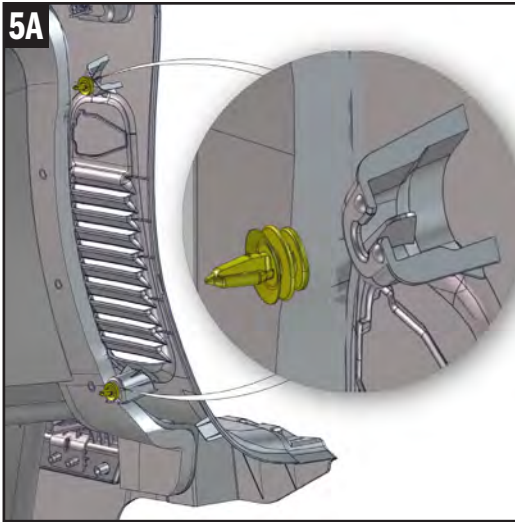
2 Remove the (2) 9/32" screws removing the storage compartment.



3 Pry around the edges of the rear lower cargo trim to separate it from the cargo compartment.



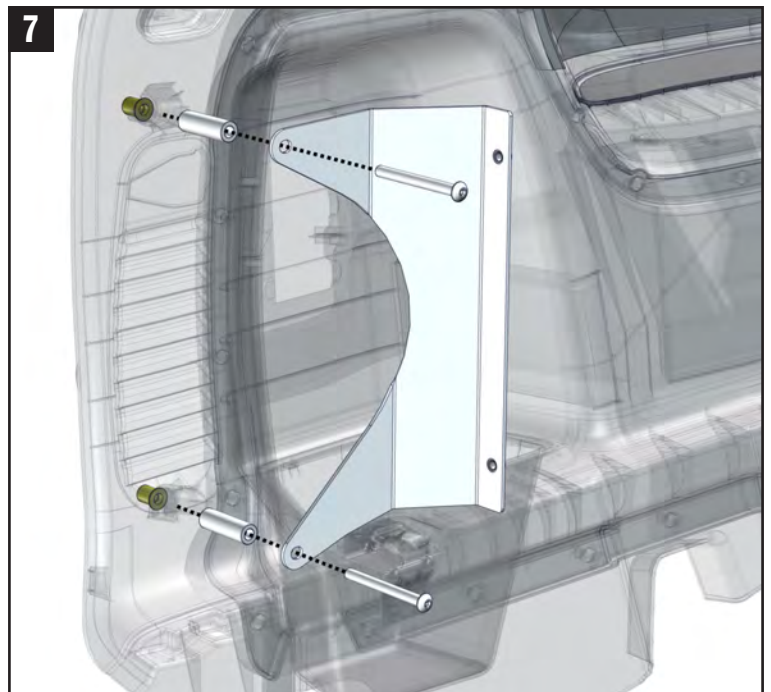
4 Remove the (2) lower screws attaching the cargo side panel to the vehicle. Pop the trim loose starting from the back working your forward giving yourself just enough room to modify the trim.



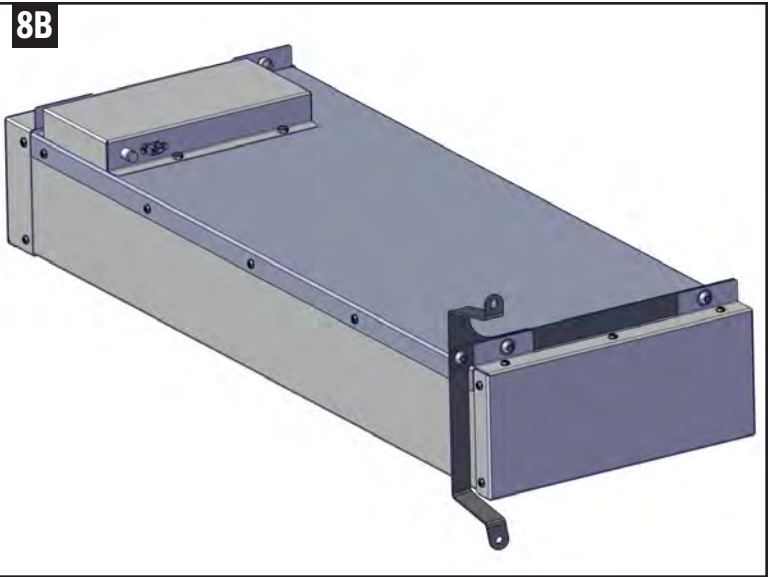
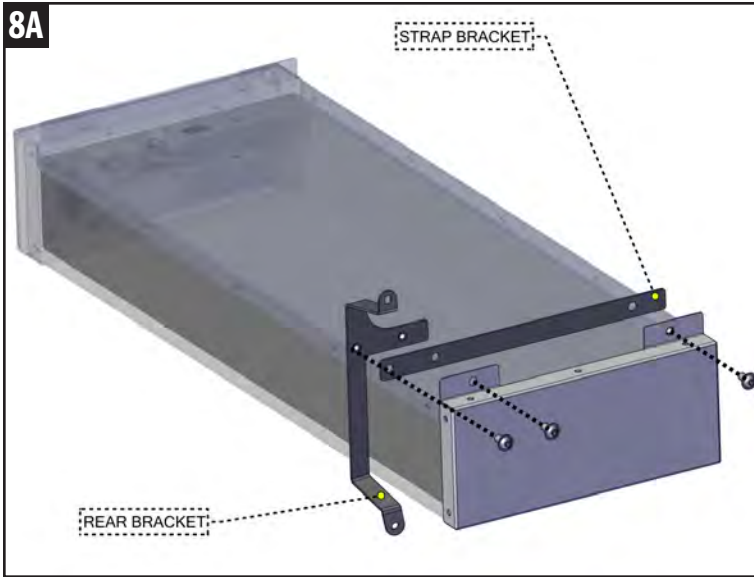
5 Remove the (2) clips that secure the trim. Cut the away tab from the trim support. Use the circular profile of the interior trim support to drill a 9/32" hole through the trim followed by a 3/4" hole.



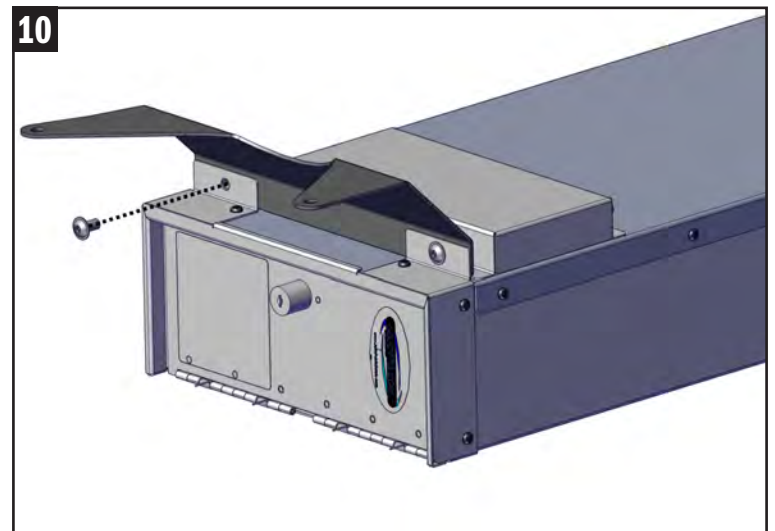
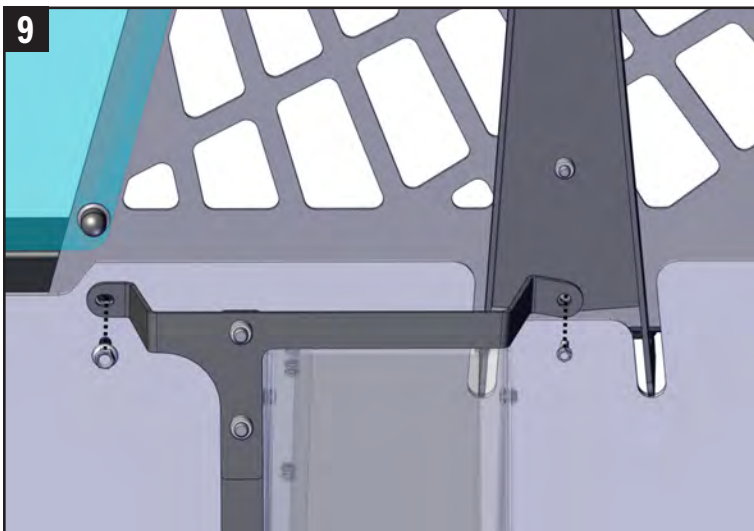
6 Install the (2) provided AVK fastener in the mounting location of the previously removed clips. **FOLLOW AVK INSTALLATION INSTRUCTIONS ON PAGE 4.**



7 Loosely secure the Front Bracket to the previously installed AVK fasteners with (2)- Gun Box Spacers and 5/16"-18 x 3-1/4" button head cap screws.



8 Attach the Strap Bracket to the rear tabs of Gun Box, and the Rear Bracket to the Strap Bracket with (3) - 5/16"-18 socket head cap screws.



9 Remove the 1/4"-20 flanged hex head cap screw and #14x1 tek screw from the Top Bar of the Bio-Seat System. Loosely secure the Rear Bracket onto the Top Bar.

10 Complete assembly by attaching the Gun Box to the Front Bracket with (2) 5/16"-18 socket head cap screws. Fully secure all hardware at this time.



11 Mark lid/cover for cutting in order to gain access to spare tire/jack/etc. Remove lid/cover, cut and replace.

AVK Fastener Installation Instructions

AVK Installation video can be viewed at:
<http://jottopublicsafety.gojotto.com/additional-categories/downloads.html>



1. Drill out existing hole to 1/2" or drill new hole per installation instructions.



2. Place 5/16-18 x 1.5" long bolt through the 3/8" flange nut and hand thread bolt into the AVK Fastener.



3. Place into 1/2" drilled hole.



4. Use 9/16" box end wrench to secure the flange nut.

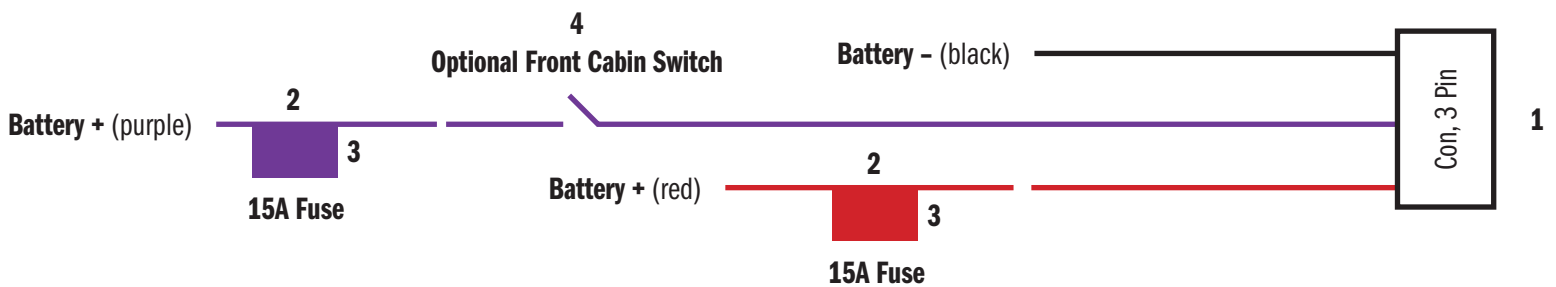


5. Apply pressure on the flange nut, pressing AVK Fastener into hole.
6. Using an air wrench, tighten the 5/16-18 x 1.5" bolt.



7. This will allow the AVK Fastener to secure onto the backside of the metal.
8. Remove 5/16-18 x 1.5" bolt.

GUN BOX WIRING DIAGRAM (HOOKUP HARNESS)



* - Battery connection can be Switched or Constant based on the desired function. Ignition **ON** or **OFF** function.

- 1 = 475-2111, Harness, Gun Box, External
- 2 = 450-0105, Holder, Fuse, In-Line, ATC
- 3 = 450-0199, Fuse, 15A, ATO-ATC
- 4 = 475-7208, Momentary Switch

If you have questions or need further assistance please call Technical Support: 1.877.455.6886



209 W. EASY ST., ROGERS, AR 72756 • JOTTOPUBLICSAFETY.COM • 7/24

Jotto Desk™ is a patented product and Registered Trademark of Assembled Products™ Corporation.
 Specifications subject to change without notice.

050-0203-00

