

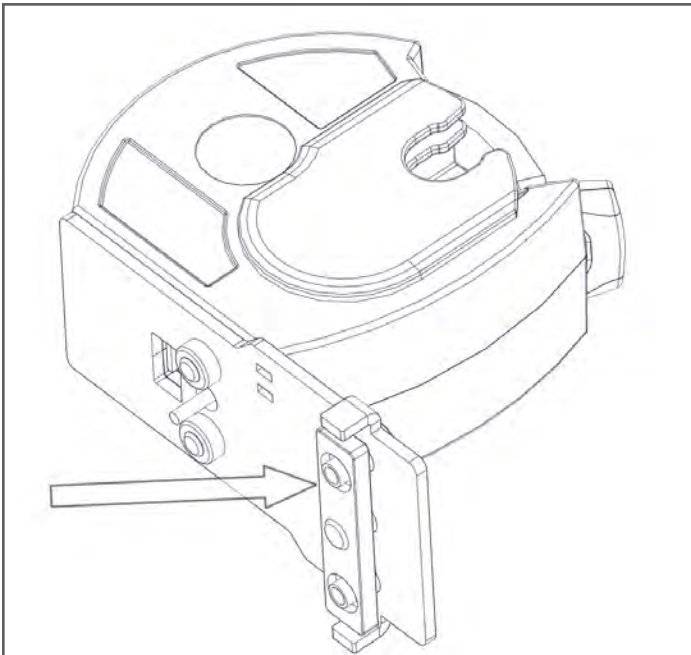
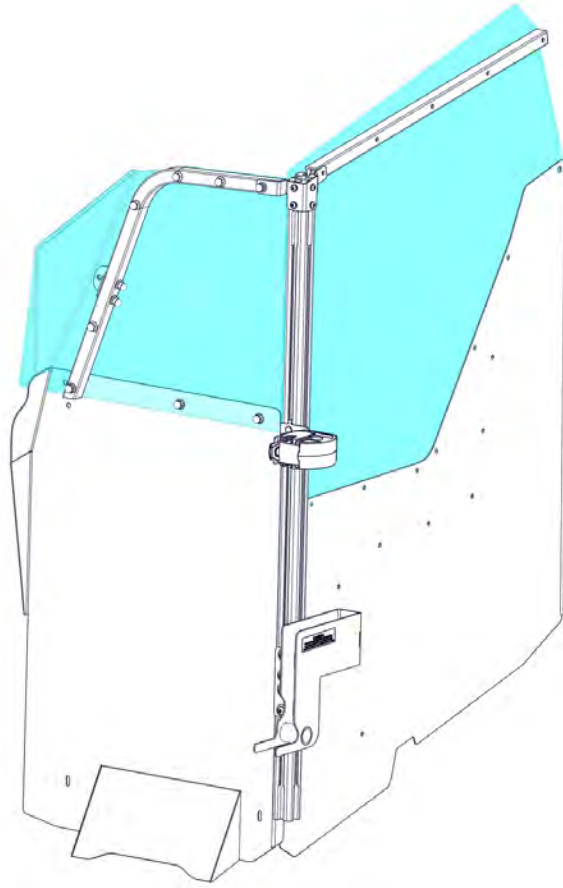


GR7-ZRT-AR SECURE

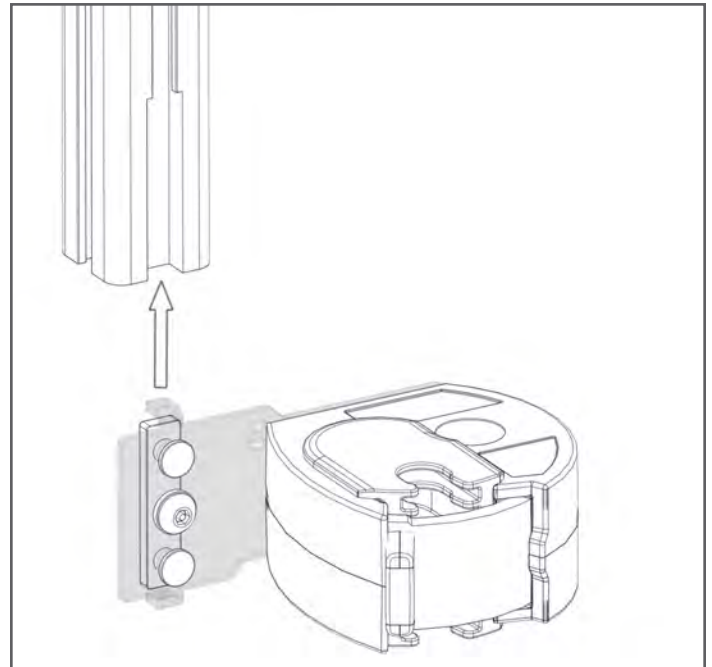
SINGLE CELL MOUNTED ZRT GUN RACK

Installation Instructions

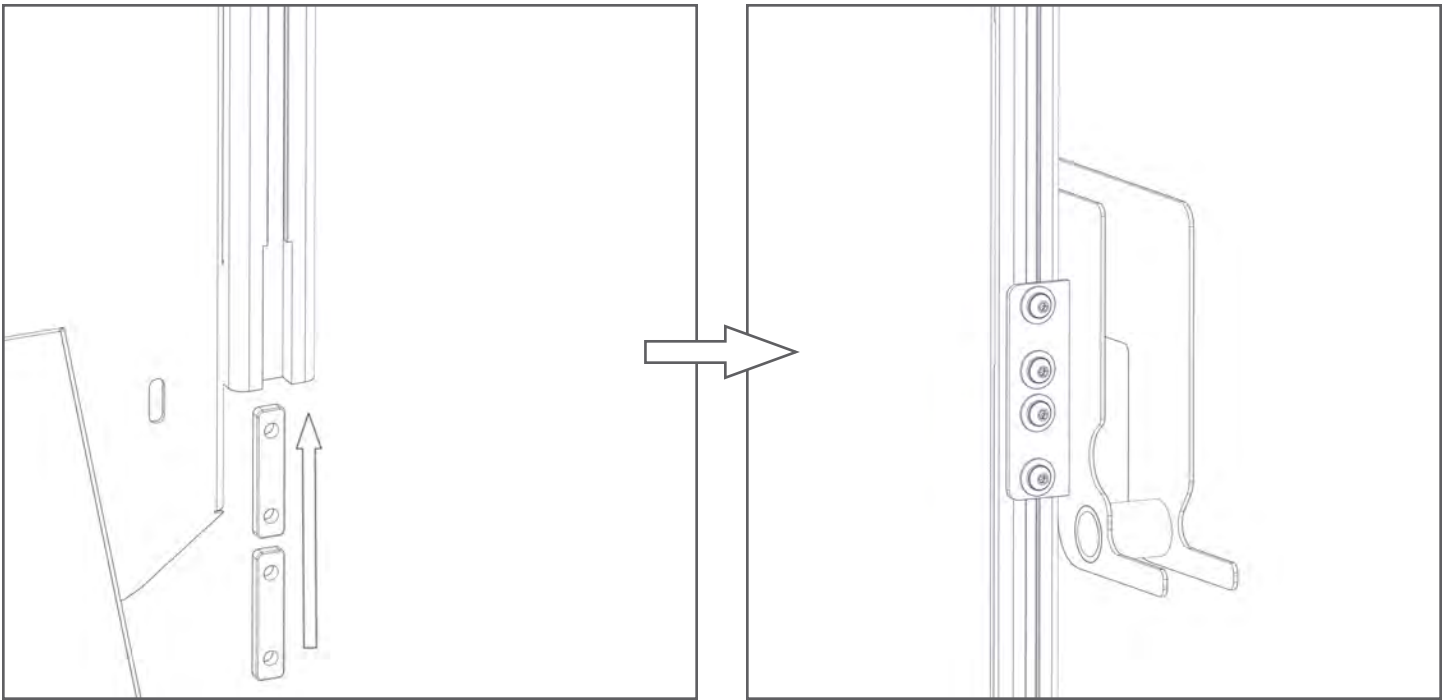
475-2174



1. Button Head Cap Screws will already be attached to the T-Block and the Gun Locks Mounting Bracket. Loosen the screws slightly.



2. Place the Lock Head Assembly into the notched-out section found on the bottom face of the Extruded Backbone. Slide the Lock Head Assembly up the channel, finger tighten to hold in place.



3. Remove the T-Blocks and mounting hardware from the AR Secure Bracket and slide them into the channel. Position the AR Secure Bracket in place and attach with the (4) previously removed Button Head Cap Screws, Washers and Lock Washers.



4. Adjust the weapon to the desired position and secure all hardware. (Be Careful Not to Overtighten and strip out Hardware.)

If you have questions or need further assistance please call Technical Support: 1.877.455.6886



209 W. EASY ST., ROGERS, AR 72756 • JOTTOPUBLICSAFETY.COM • 2/25

Jotto Desk™ is a patented product and Registered Trademark of Assembled Products™ Corporation.
Specifications subject to change without notice.



050-0227-00