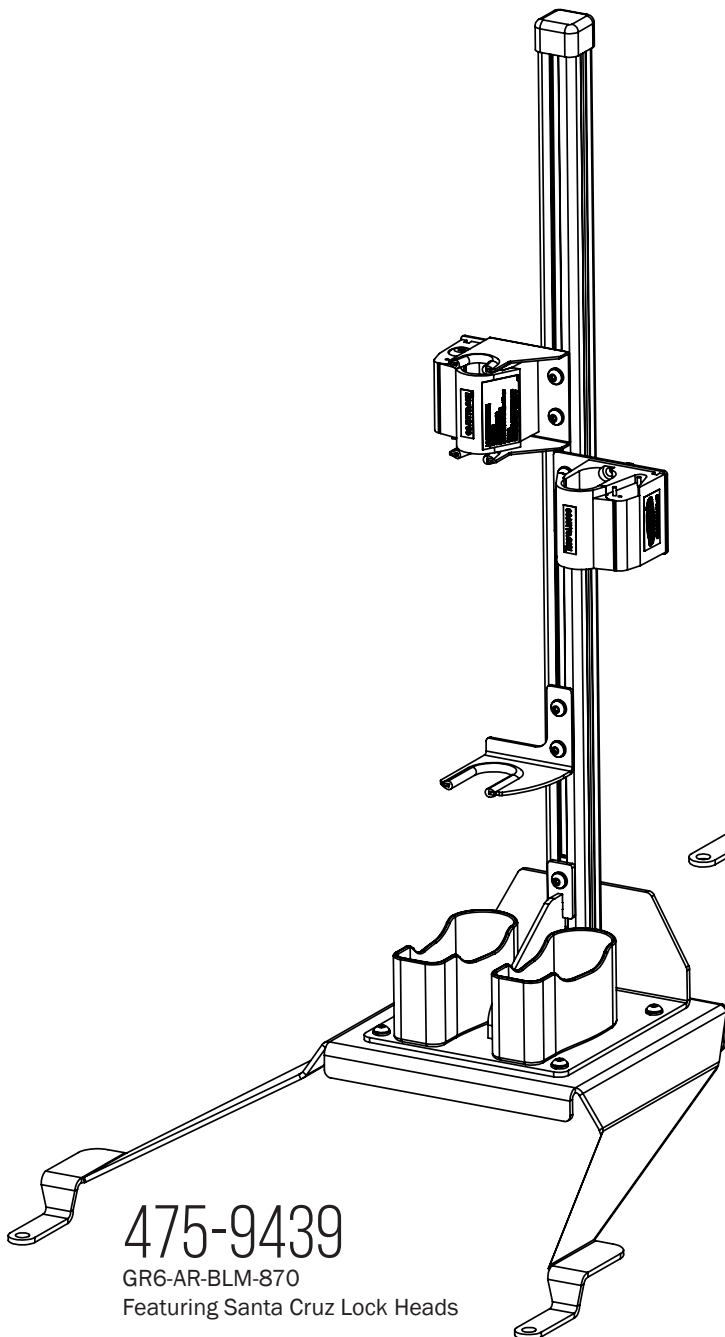




GR6 GUN RACKS

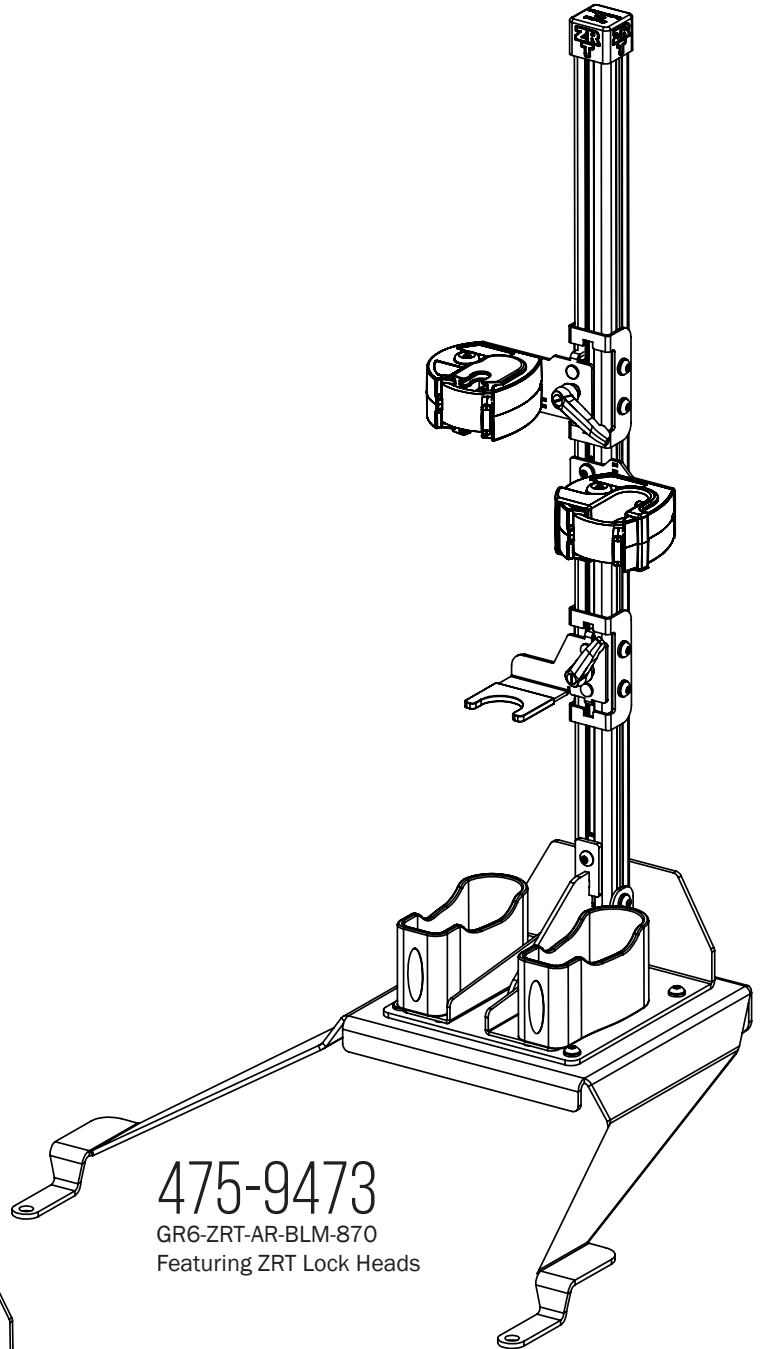
2021+ FORD F-150

Installation Instructions



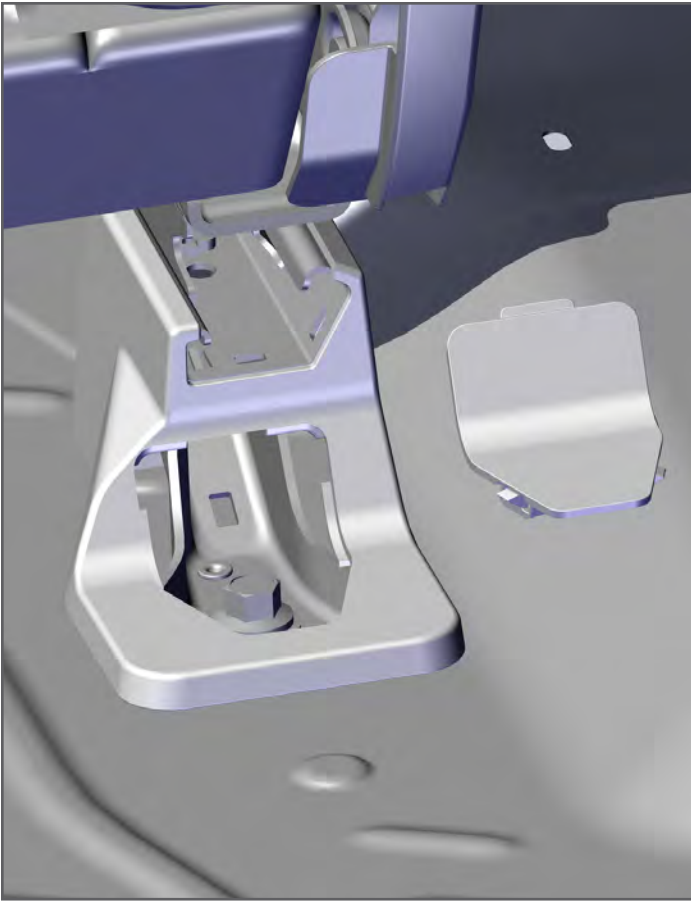
475-9439

GR6-AR-BLM-870
Featuring Santa Cruz Lock Heads

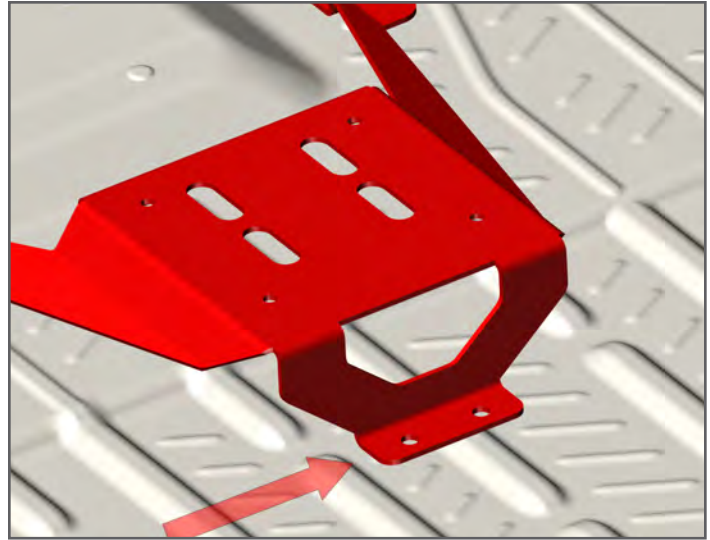
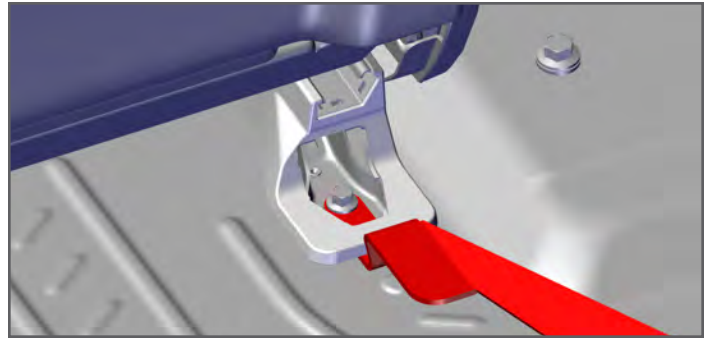


475-9473

GR6-ZRT-AR-BLM-870
Featuring ZRT Lock Heads



1. Remove cap from inside back seat rails of front seats. Remove (2) 13mm seat bolts nearest the console.



2. Slide GR6 mounting plate under the inside seat rails of front seats. Mark hole location for rear of mounting plate for AVK install. Remove mounting plate and set aside.



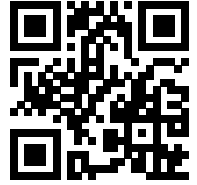
3. Install AVK fasteners, see other side for AVK install instructions, or watch the video here.



4. Reposition mounting plate under the seat rails and tighten all OEM seat bolts, replace trim cover and use provided hardware for AVK locations.

5. Position assembled backbone onto GR6 mounting plate. Secure to plate using provided (4) button head cap screws.

AVK FASTENER INSTALLATION INSTRUCTIONS



AVK Installation video can be viewed at:
<http://jottopublicsafety.gojotto.com/additional-categories/downloads.html>



1. Drill out existing hole to 1/2" or drill new hole per installation instructions.



2. Place 5/16-18 x 1.5" long bolt through the 3/8" flange nut and hand thread bolt into the AVK Fastener.



3. Place into 1/2" drilled hole.



4. Use 9/16" box end wrench to secure the flange nut.



5. Apply pressure on the flange nut, pressing AVK Fastener into hole.

6. Using an air wrench, tighten the 5/16-18 x 1.5" bolt.



7. This will allow the AVK Fastener to secure onto the backside of the metal.

8. Remove 5/16-18 x 1.5" bolt.

If you have questions or need further assistance please call Technical Support: 1.877.455.6886



209 W. EASY ST., ROGERS, AR 72756 • JOTTOPUBLICSAFETY.COM • 10/24

Jotto Desk™ is a patented product and Registered Trademark of Assembled Products™ Corporation.
Specifications subject to change without notice.

050-0108-00

